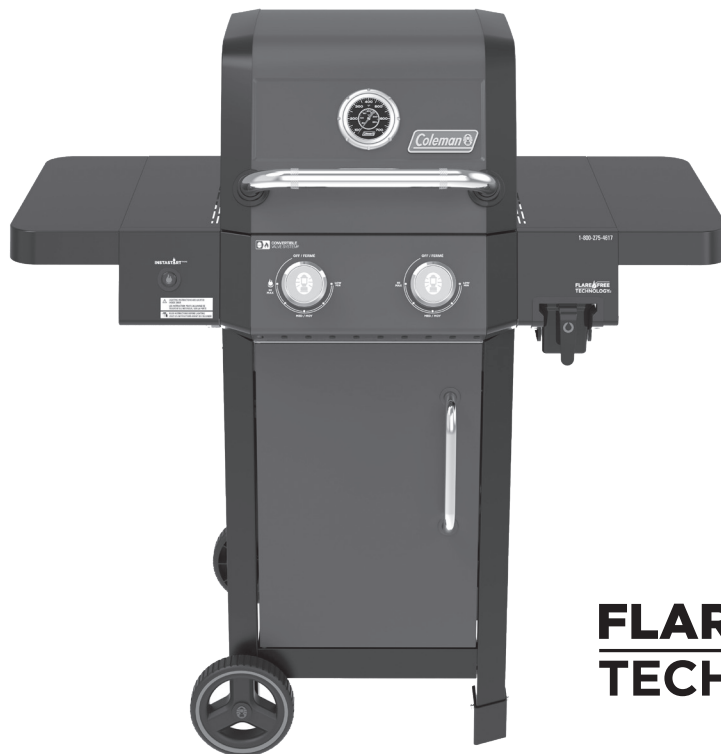




REVOLUTION™ II

2 BURNER



**FLARE FREE
TECHNOLOGY™**

ASSEMBLY MANUAL

085-0252-8 (G37801)

LIMITED 5-YEAR WARRANTY

Read and save manual for future reference.

Assemble your barbecue immediately. Missing or damaged parts should be claimed within 30 days of purchase.

For product inquiries, parts, warranty and troubleshooting support, please call 1-800-275-4617.



Master No. 211648

www.colemanbbqs.com

Manual Revision #: 2025.03.04 JC



**HEAVY ARTICLE NEEDS 2 TO LIFT
THIS MANUAL MUST REMAIN WITH THE PRODUCT AT ALL TIMES**

To ORDER non-warranty replacement parts or accessories,
or to register your warranty, please visit us on the web at
www.colemanbbqs.com

⚠ CAUTION

Sharp edges. Wear gloves when assembling your barbecue.

⚠ CAUTION

Read and follow all safety statements, assembly instructions, use and care directions before attempting to assemble and cook.

⚠ INSTALLER OR ASSEMBLER / CONSUMER

This manual should be kept with the barbecue at all times.

⚠ WARNING

Failure to follow all of the manufacturer's instructions could result in hazardous fires, explosions, property damage, or serious personal injury or even death.

Follow all leak check procedures carefully prior to operation of barbecue, even if barbecue was dealer assembled. Do not try to light this barbecue without reading the Lighting Instructions section of this manual.

⚠ DANGER

- 1. If you smell gas:**
 - a. Shut off gas to the appliance**
 - b. Extinguish any open flame**
 - c. Open lid**
 - d. If odour continues, keep away from the appliance and immediately call your gas supplier or your fire department**
- 2. Requires two people to complete the assembly process.**
- 3. Beware of sharp edges.**

⚠ WARNING

- 1. Do not store or use gasoline or other flammable liquids or vapours in the vicinity of this or any other appliance.**
- 2. An LP cylinder not connected for use shall not be stored in the vicinity of this or any other appliance.**

⚠ WARNING

IN DIRECT SUN, AND IN OPERATION, YOUR BARBECUE'S STAINLESS STEEL AND PAINTED STEEL PARTS CAN BECOME VERY HOT.

**THIS BARBECUE IS FOR OUTDOOR USE ONLY
CONTACT CALL CENTRE IF ANY PARTS ARE MISSING
1-800-275-4617**

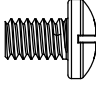
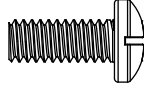
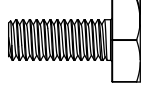
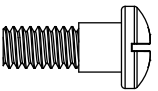
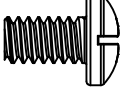
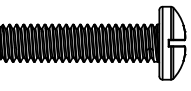
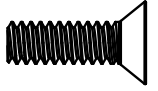
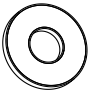



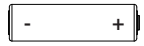
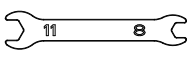
HARDWARE PACK

TOOLS NEEDED FOR ASSEMBLY

- #2 Phillips screwdriver (long and short)
- 1/4" Slotted screwdriver (long and short)
- Pliers

No.	Description	Part Number	Qty.
1	1/4"-20UNC x 10 Screw	20120-13010-250	1
2	1/4-20UNC x 16 Screw	20120-13016-250	35
3	1/4-20UNC x 16 Hexagon Screw	G571-0030-9000	4
4	1/4"-20UNC Screw	G353-0014-9000	4
5	NO.10-24UNC x 13 Screw	20124-10013-250	22
6	NO.8-32UNC x 18 Screw	20132-08018-250	2
7	NO.8-32UNC x 10 Screw	20332-08010-250	3
8	φ7 Rubberized Washer	G501-0054-9100	6
9	NO.8-32UNC Nut	30232-08000-250	2
10	φ7 Lock Washer	41400-07000-250	1
11	Wheel Washer	G367-0005-9000	3
12	AA Battery	G610-0028-9100	1
13	Wrench	G571-0028-9099	1

⚠ Caution:
Sheet metal can cause injury. Wear gloves when installing the barbecue.

1		2		3	
	1/4"-20UNC x 10 Screw X 1		1/4-20UNC x 16 Screw X 35		1/4-20UNC x 16 Hexagon Screw X 4
4		5		6	
	1/4"-20UNC Screw X 4		NO.10-24UNC x 13 Screw X 22		NO.8-32UNC x 18 Screw X 2
7		8		9	
	NO.8-32UNC x 10 Screw X 3		φ7 Rubberized Washer X 6		NO.8-32UNC Nut X 2
10		11		12	
	φ7 Lock Washer X 1		Wheel Washer X 3		AA Battery X 1
13					
	Wrench X 1				

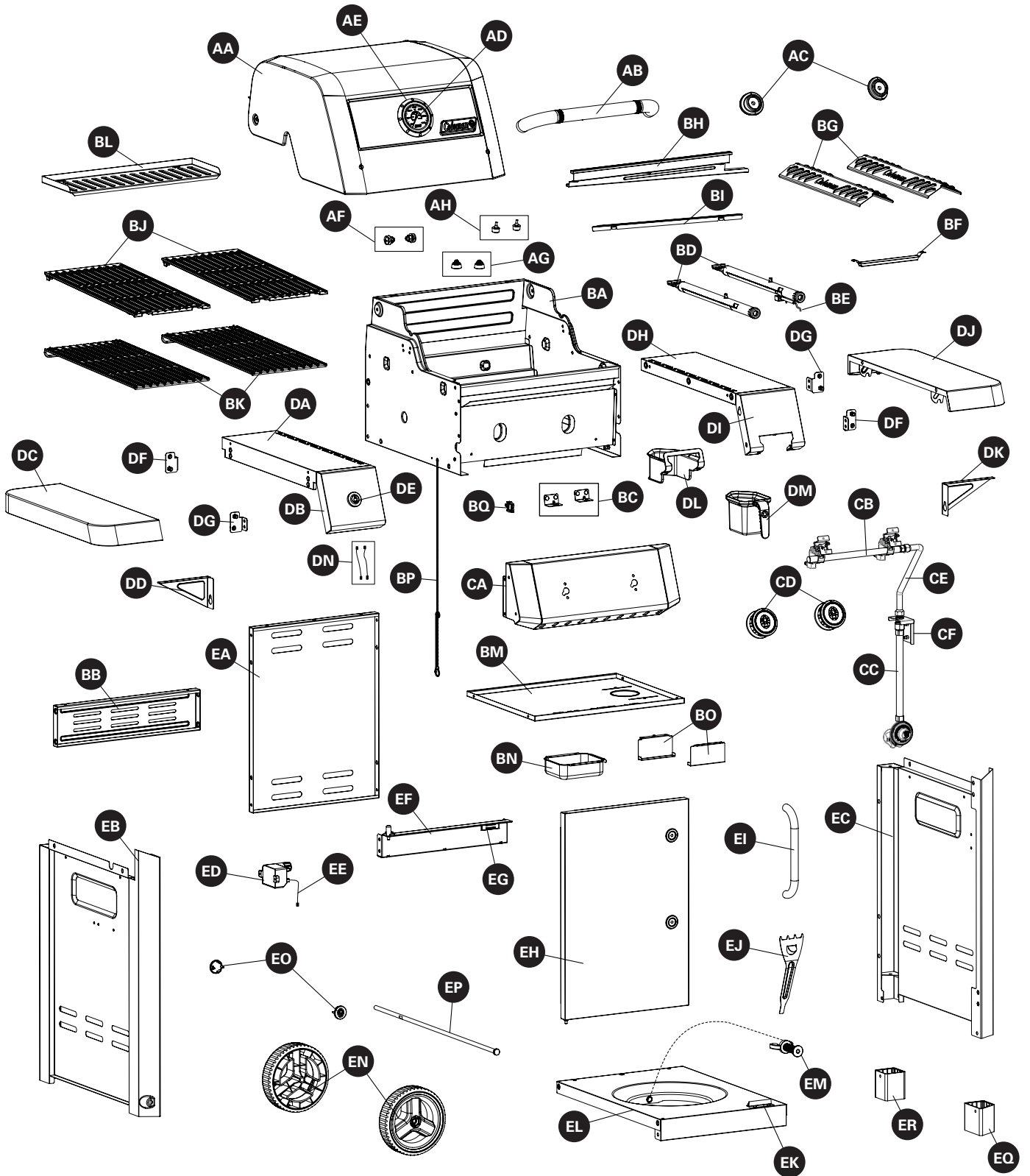
BEFORE ASSEMBLING THIS BARBECUE, READ THE INSTRUCTIONS CAREFULLY.

Assemble the barbecue on a flat, clean surface. Barbecue is heavy. Two people are recommended to assemble this barbecue.

PARTS LIST FOR 085-0252-8 (G37801)

Item No.	Qty.	Description	Part No.	Item No.	Qty.	Description	Part No.
AA	1	Top Lid Assembly	G378-2600-01	DA	1	Side Shelf Table, Left	G378-0300-01
AB	1	Lid Handle	G378-0012-01	DB	1	Side Shelf Fascia, Left	G378-0008-01
AC	2	Lid Handle Bezel	G571-0016-01	DC	1	Side Shelf Extension Table, Left	G378-0500-01
AD	1	Thermometer	G363-0009-01	DD	1	Side Shelf Table Rear Brace, Left	G425-5301-02
AE	1	Thermometer Bezel	G532-0006-01	DE	1	Instastart™ Ignition Button	G532-0082-01
AF	2	Top Lid Screw	G470-5004-01	DF	2	Support Bracket A, Side Shelf	G363-1300-01
AG	2	Lid Bumper, Front	G527-0002-01A	DG	2	Support Bracket B, Side Shelf	G363-1400-01
AH	2	Lid Bumper, Rear	G303-0038-01	DH	1	Side Shelf Table, Right	G378-0400-01
BA	1	Burner Box Assembly	G378-2300-01	DI	1	Side Shelf Fascia, Right	G378-0009-01
BB	1	Upper Back Panel	G378-0004-01	DJ	1	Side Shelf Extension Table, Right	G378-0600-01
BC	2	Main Burner Brace	G466-0047-01	DK	1	Side Shelf Table Rear Brace, Right	G425-5201-02
BD	2	Main Burner	G532-3500-01	DL	1	Grease Cup Holder, Flare-Free	G571-0024-01
BE	1	Electrode Set, Main Burner	G515-0067-01	DM	1	Grease Cup, Flare-Free	G571-0024-01
BF	1	Carryover Assembly	G354-0024-01	DN	2	Ignition Wire	G110-0022-01
BG	2	Heat Distribution Plate	G532-0016-01	EA	1	Lower Back Panel	G378-0002-01
BH	1	Grease Channel	G363-0012-01	EB	1	Cart Side Panel, Left	G571-0200-01
BI	1	Grease Channel Shield	G532-0063-01	EC	1	Cart Side Panel, Right	G571-0300-01
BJ	2	Upper Cooking Grate	G532-0081-01	ED	1	Electronic Ignition Assembly	G532-0019-01
BK	2	Lower Cooking Grate	G532-0080-01	EE	1	Ground Wire	G602-0024-03
BL	1	Warming Rack	G363-0013-01	EF	1	Door Support Rail	G378-2100-01
BM	1	Heat Shield	G378-0003-01	EG	1	Door Magnet Assembly	G527-0037-01
BN	1	Grease Cup, Burner Box	G571-0032-01	EH	1	Door Assembly	G378-2900-01
BO	2	Grease Cup Rail	G571-0031-01	EI	1	Door Handle	G517-0011-01
BP	1	Match Holder	G501-0068-01	EJ	1	Cleaning tool	G532-0083-01
BQ	1	Wire Holder	F801-0023-01	EK	1	Door Brace	G545-0001-01
CA	1	Control Panel	G378-0005-01	EL	1	Bottom Panel	G378-0100-01
CB	1	Manifold Assembly	G378-2500-01	EM	1	Tank Screw	G505-0047-01
CC	1	Regulator	G466-0059-01	EN	2	Wheel	G571-2100-01
CD	2	Control Knob	G571-2900-01	EO	2	Wheel Cap	G571-0004-01
CE	1	Metal Hose	G432-1102-01	EP	1	Wheel Axle	G571-0005-01
CF	1	Support Bracket, Regulator	G466-00C3-01	EQ	1	Feet, Front	G571-0001-01
				ER	1	Feet, Rear	G571-0002-01
				F1	1	Hardware Pack	G378-B001-01
				F2	1	Assembly Manual	G378-M001-01
				F3	1	Safe Use and Care Manual	G378-M001-02

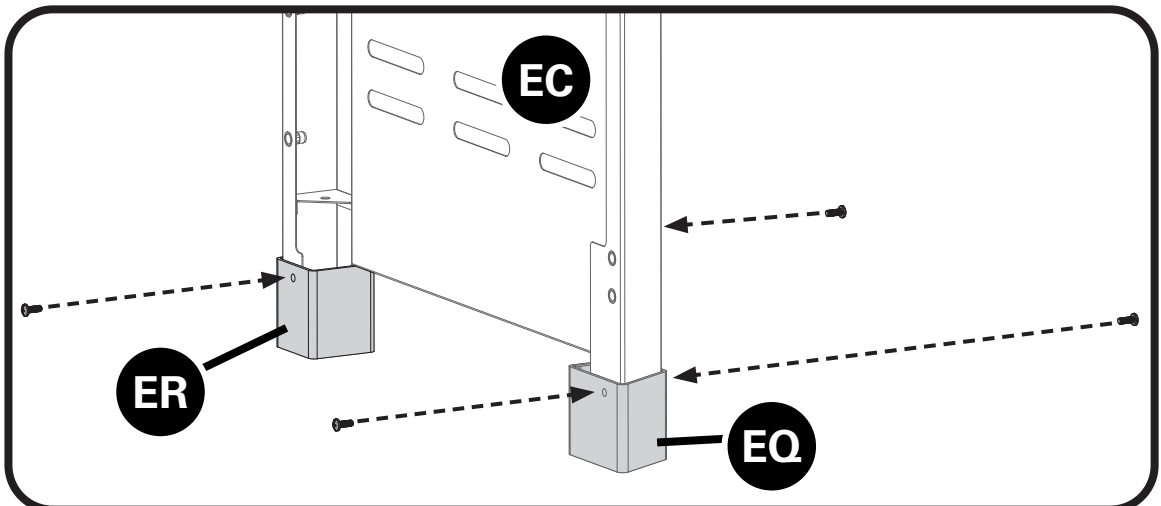
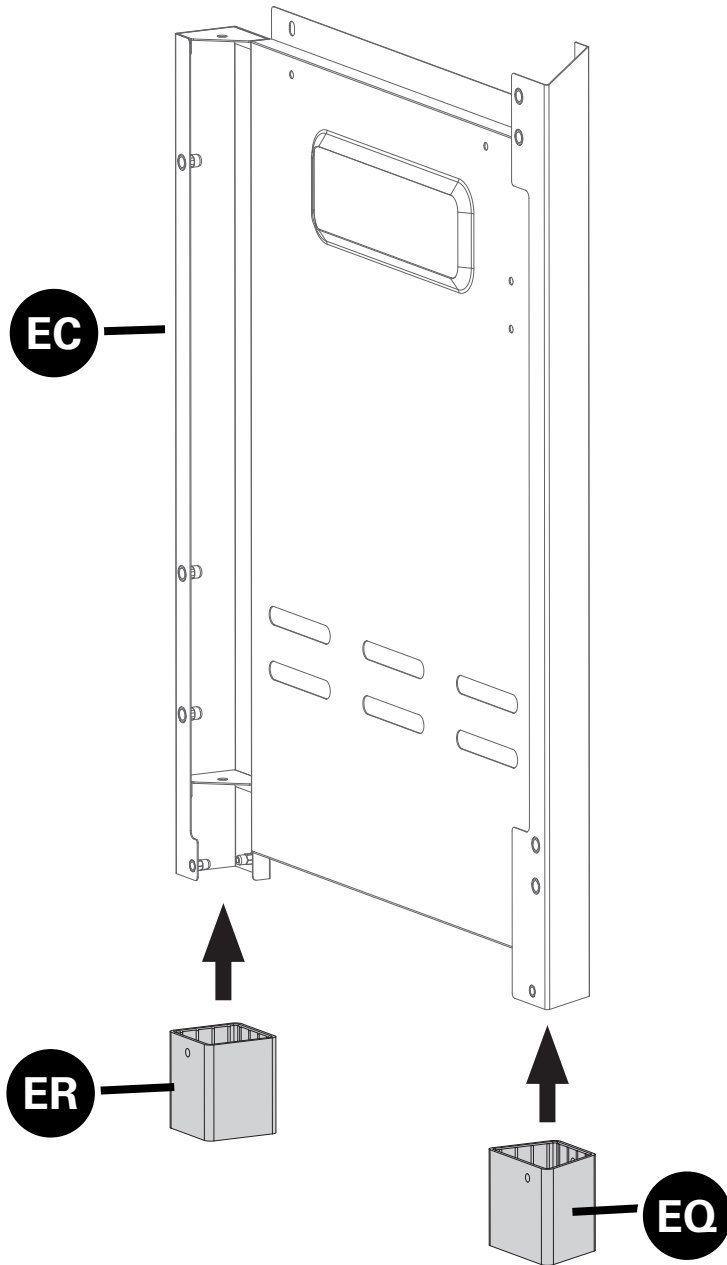
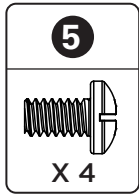
EXPLODED DIAGRAM FOR 085-0252-8 (G37801)



Extras		
Hardware Pack F1	Assembly Manual F2	Safe Use & Care Manual F3

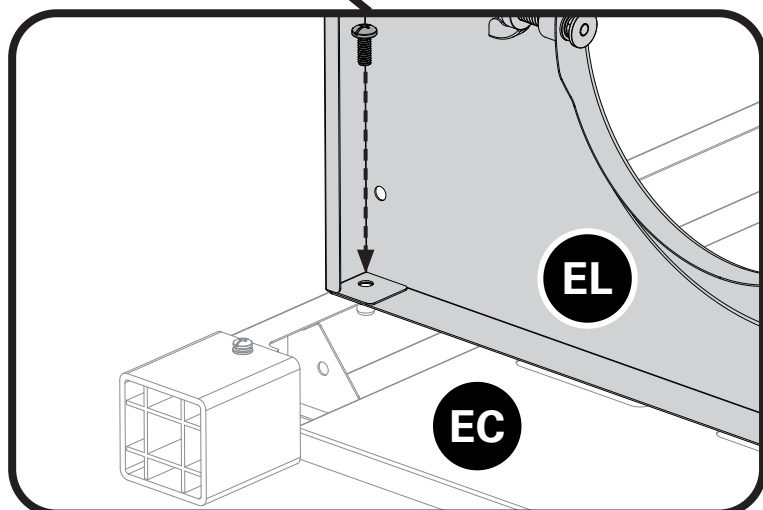
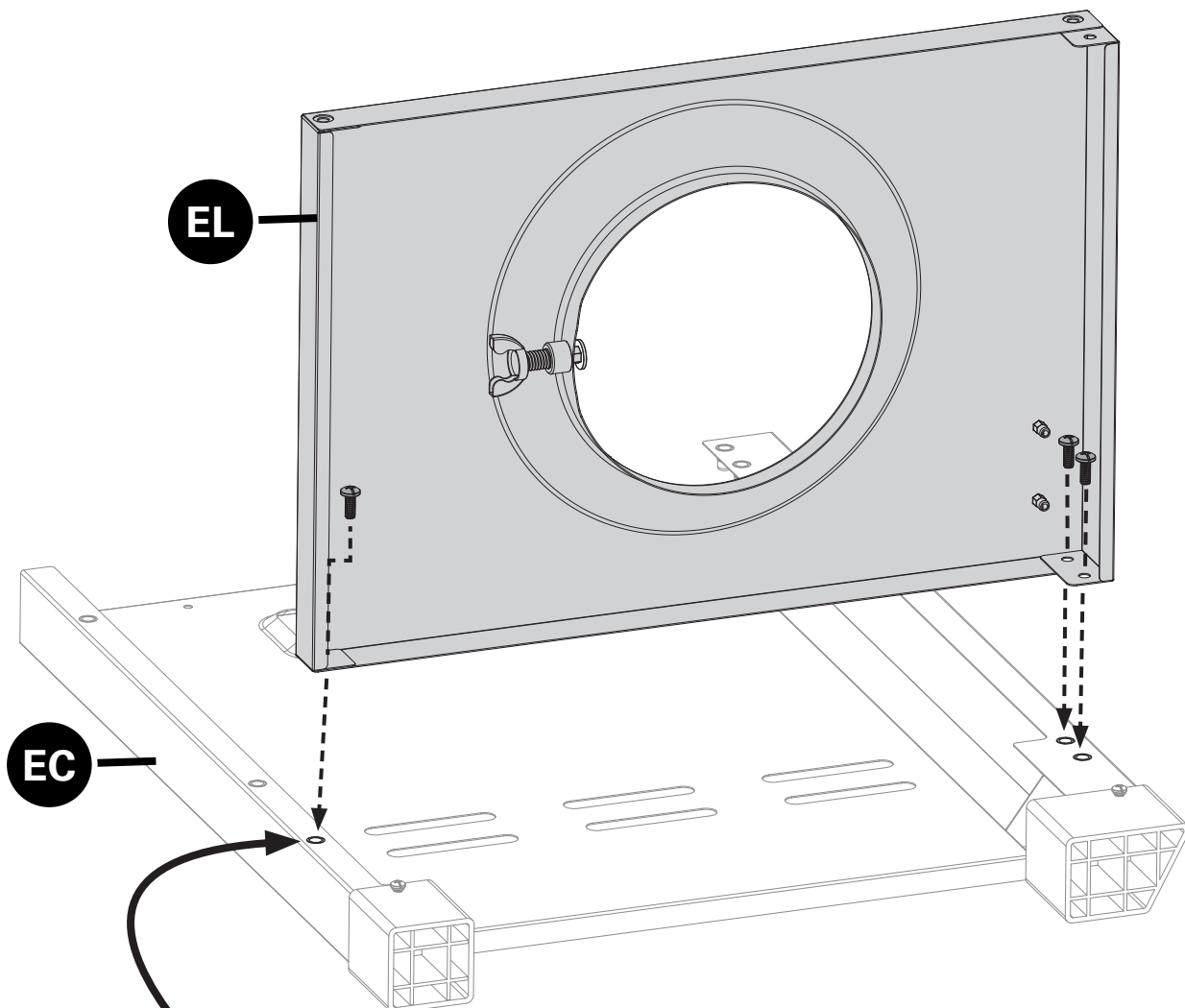
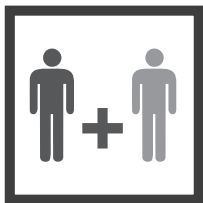
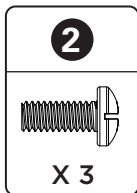
ASSEMBLY INSTRUCTIONS

1



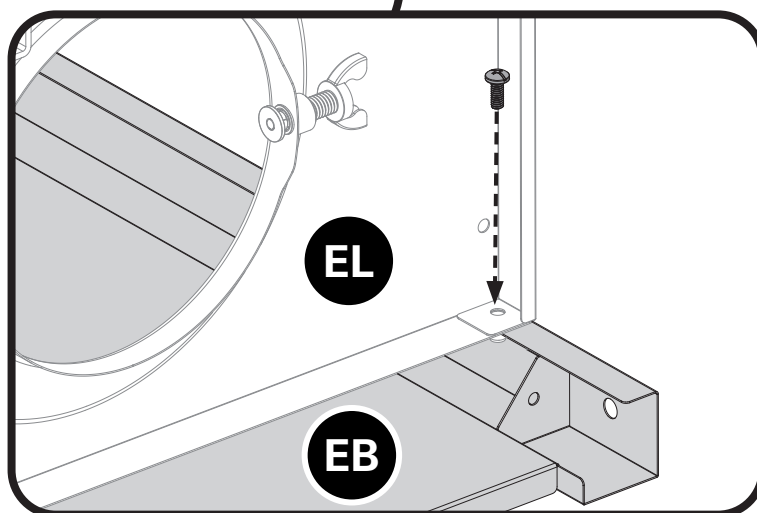
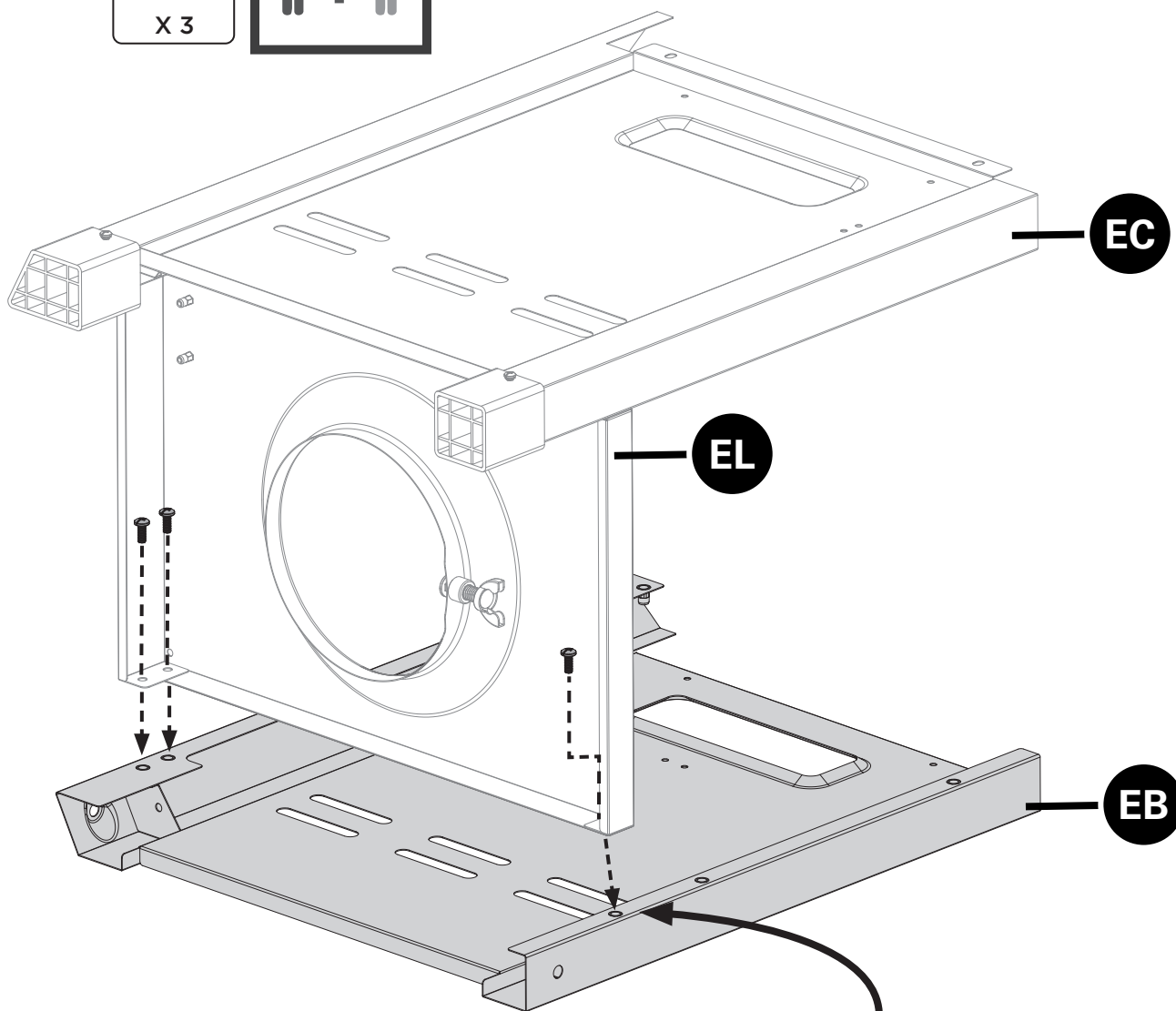
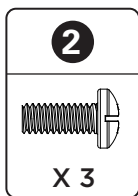
ASSEMBLY INSTRUCTIONS

2



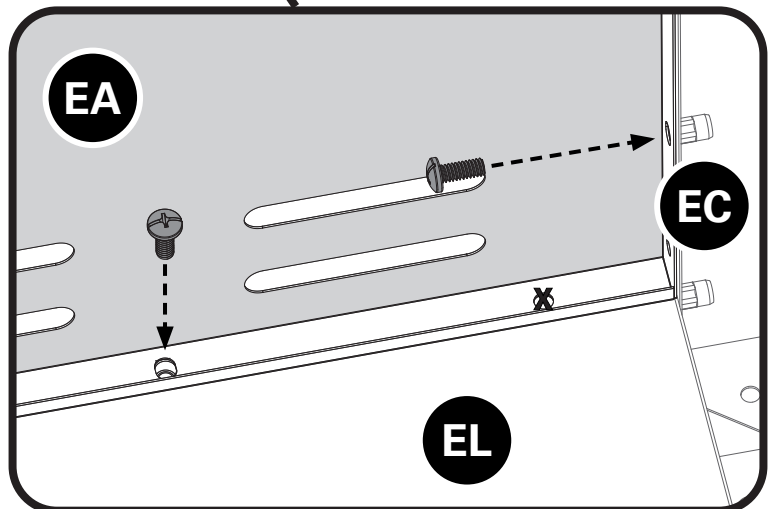
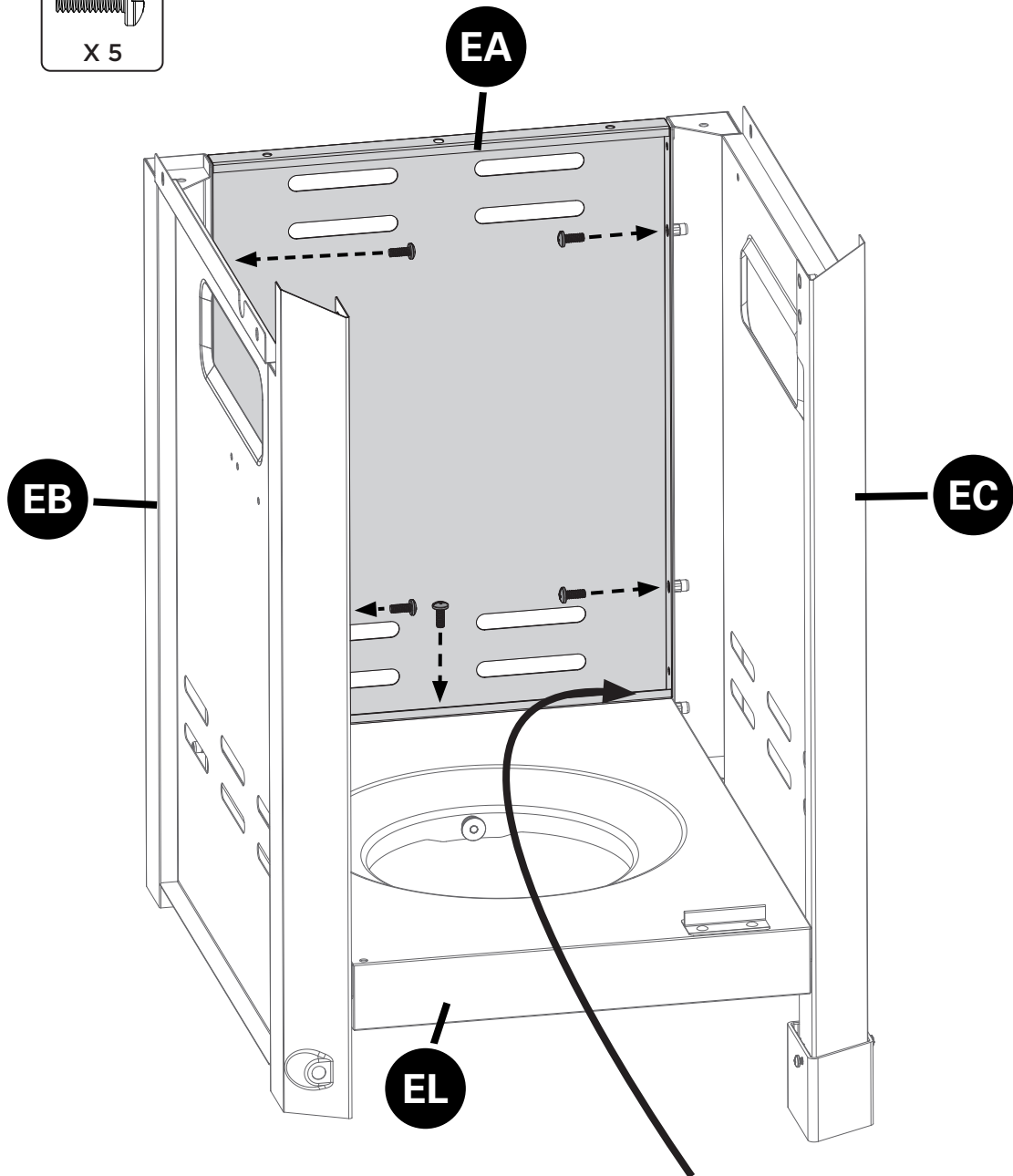
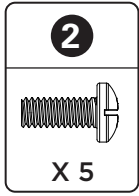
ASSEMBLY INSTRUCTIONS

3



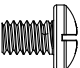


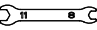
ASSEMBLY INSTRUCTIONS

4

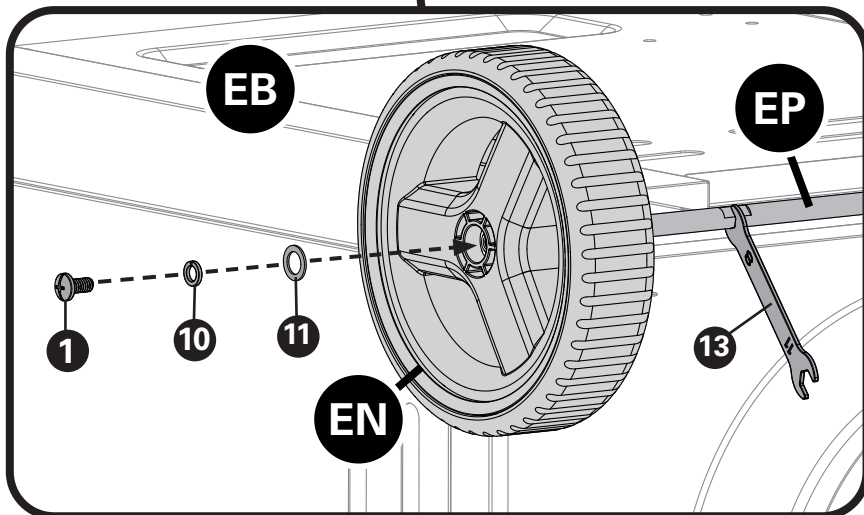
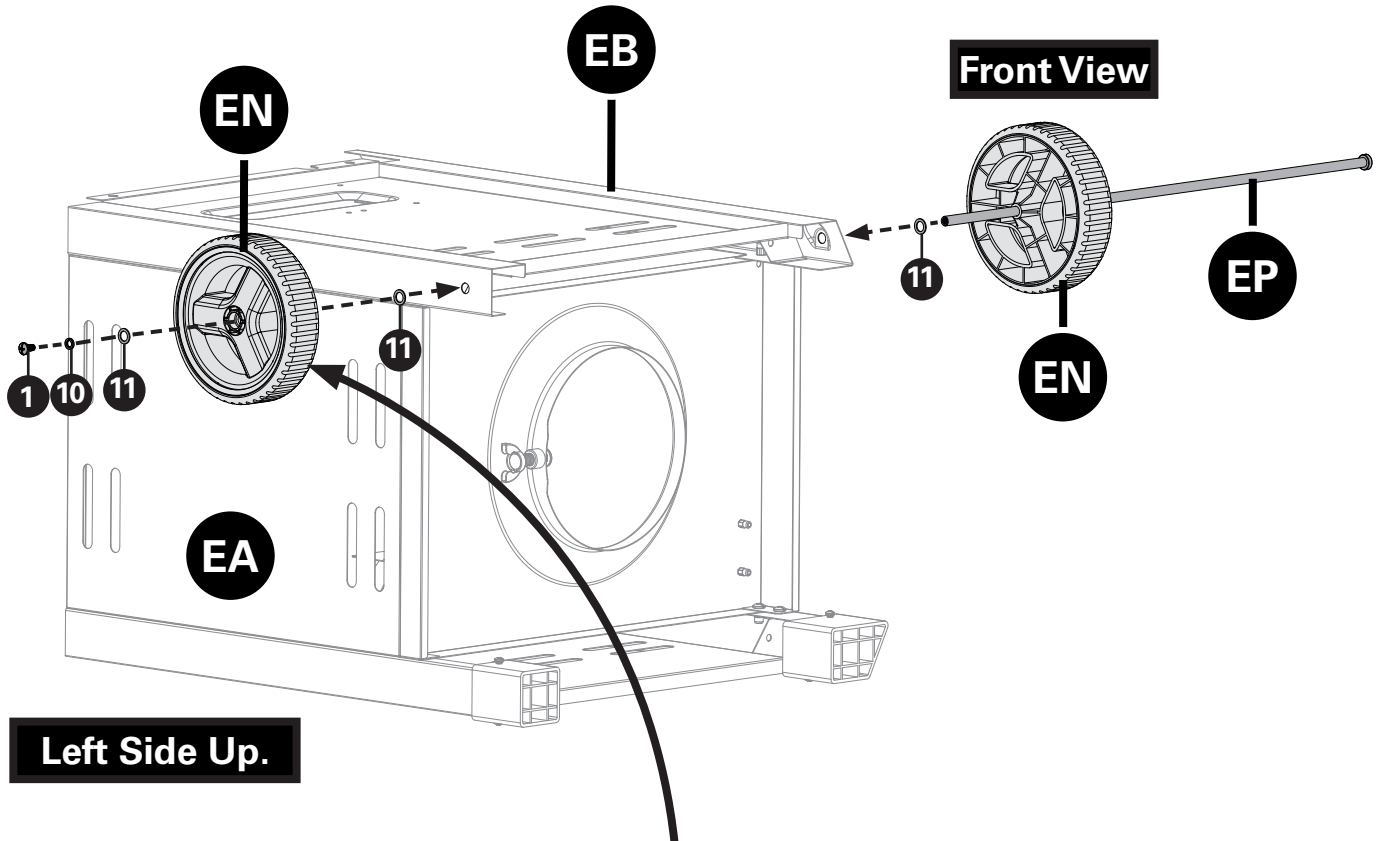


ASSEMBLY INSTRUCTIONS

5

1  X 1	10  X 1	11  X 3	13  X 1
--	---	---	---

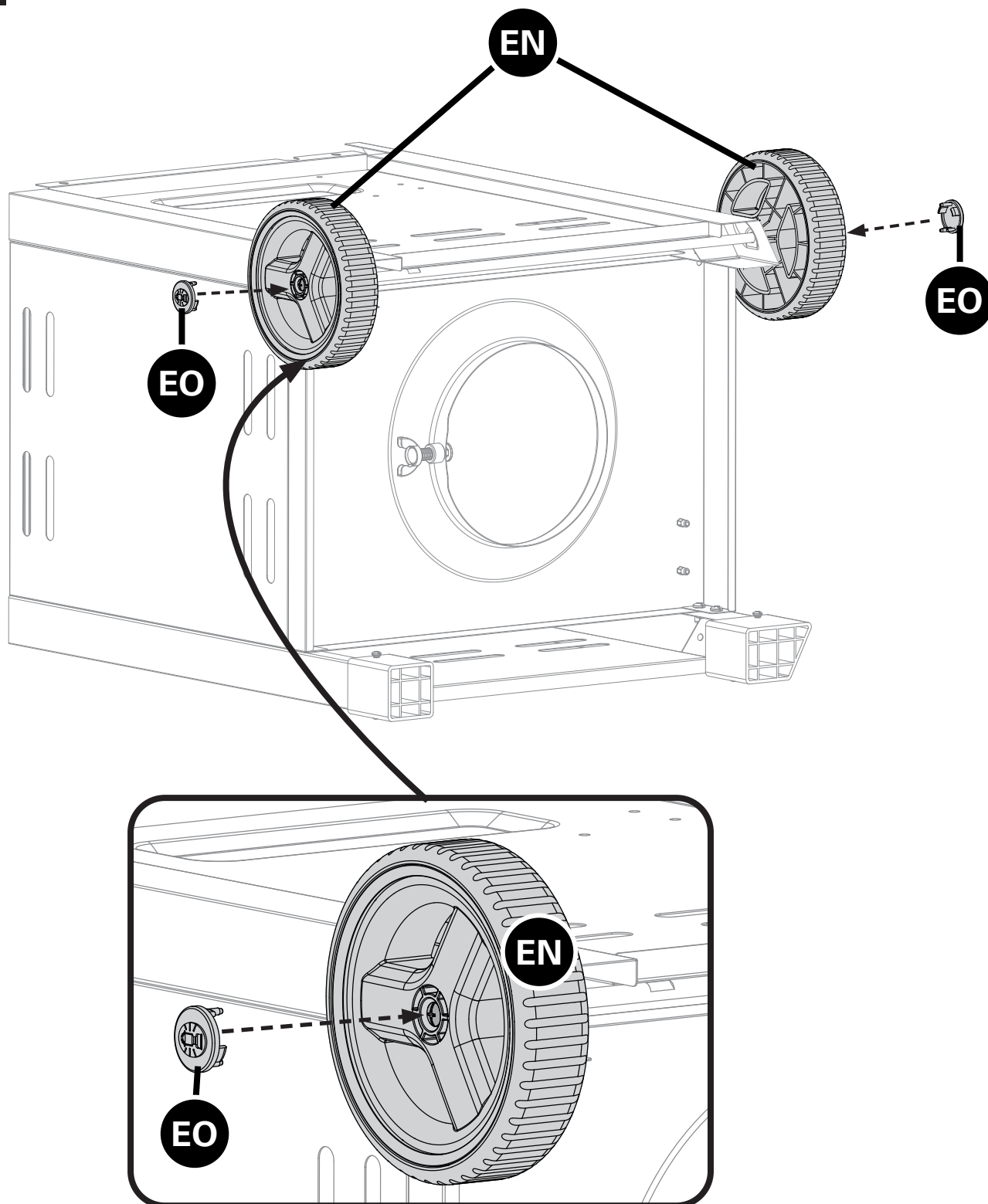
A.



ASSEMBLY INSTRUCTIONS

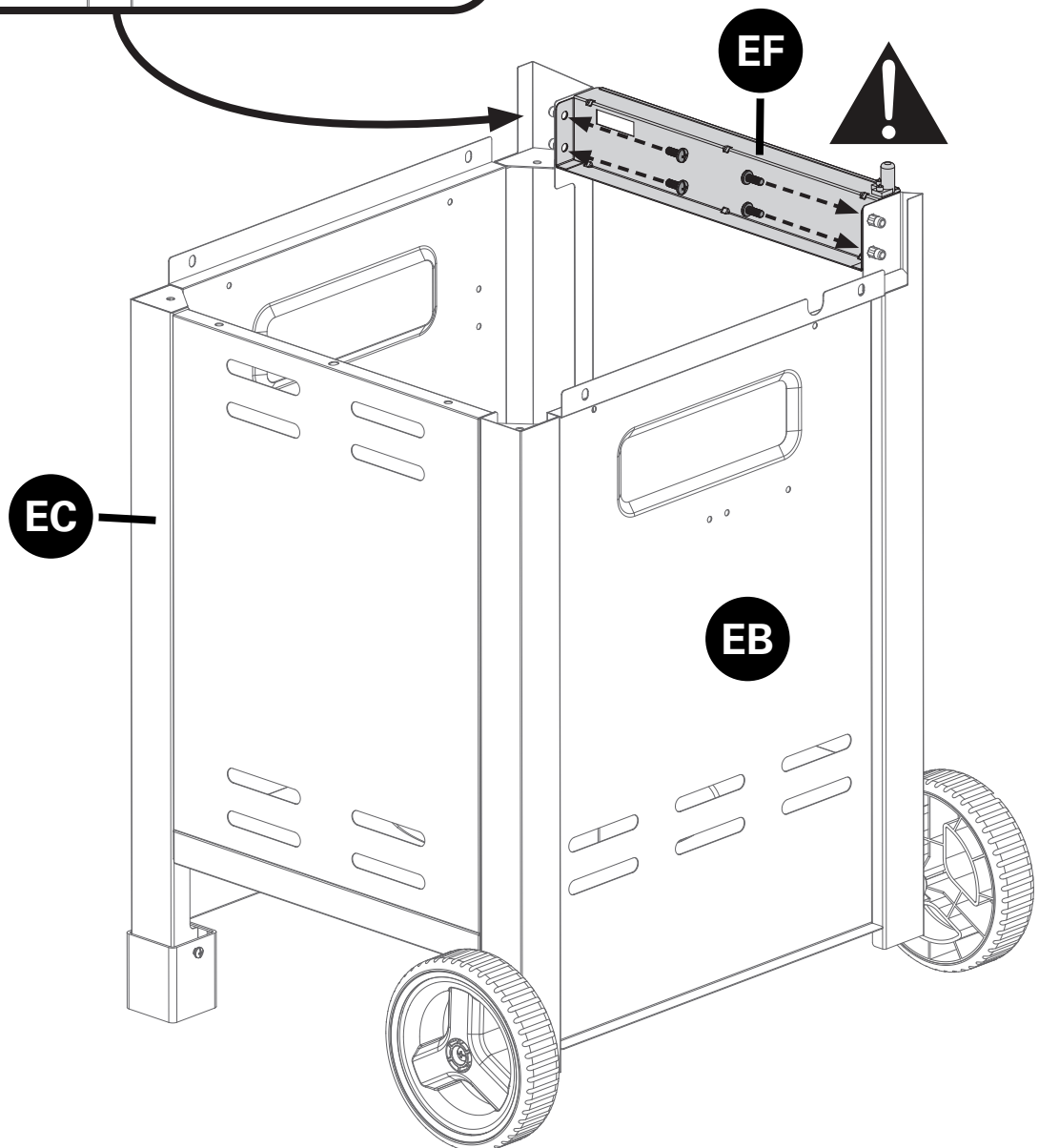
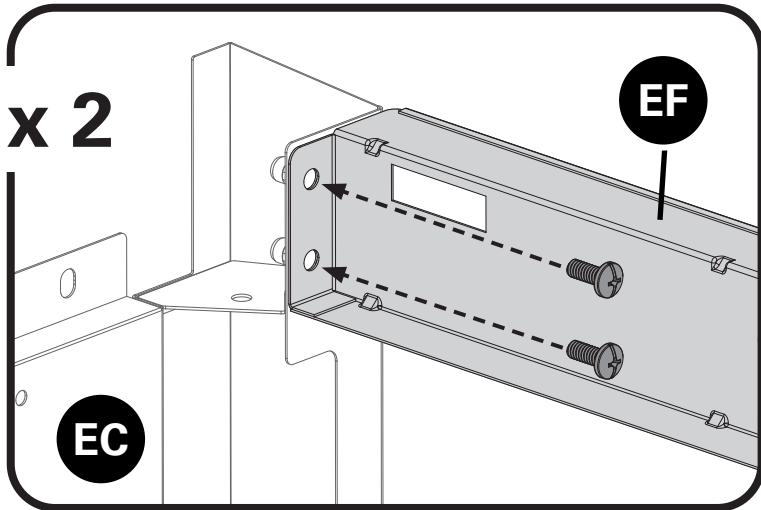
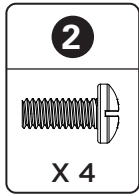
5

B.



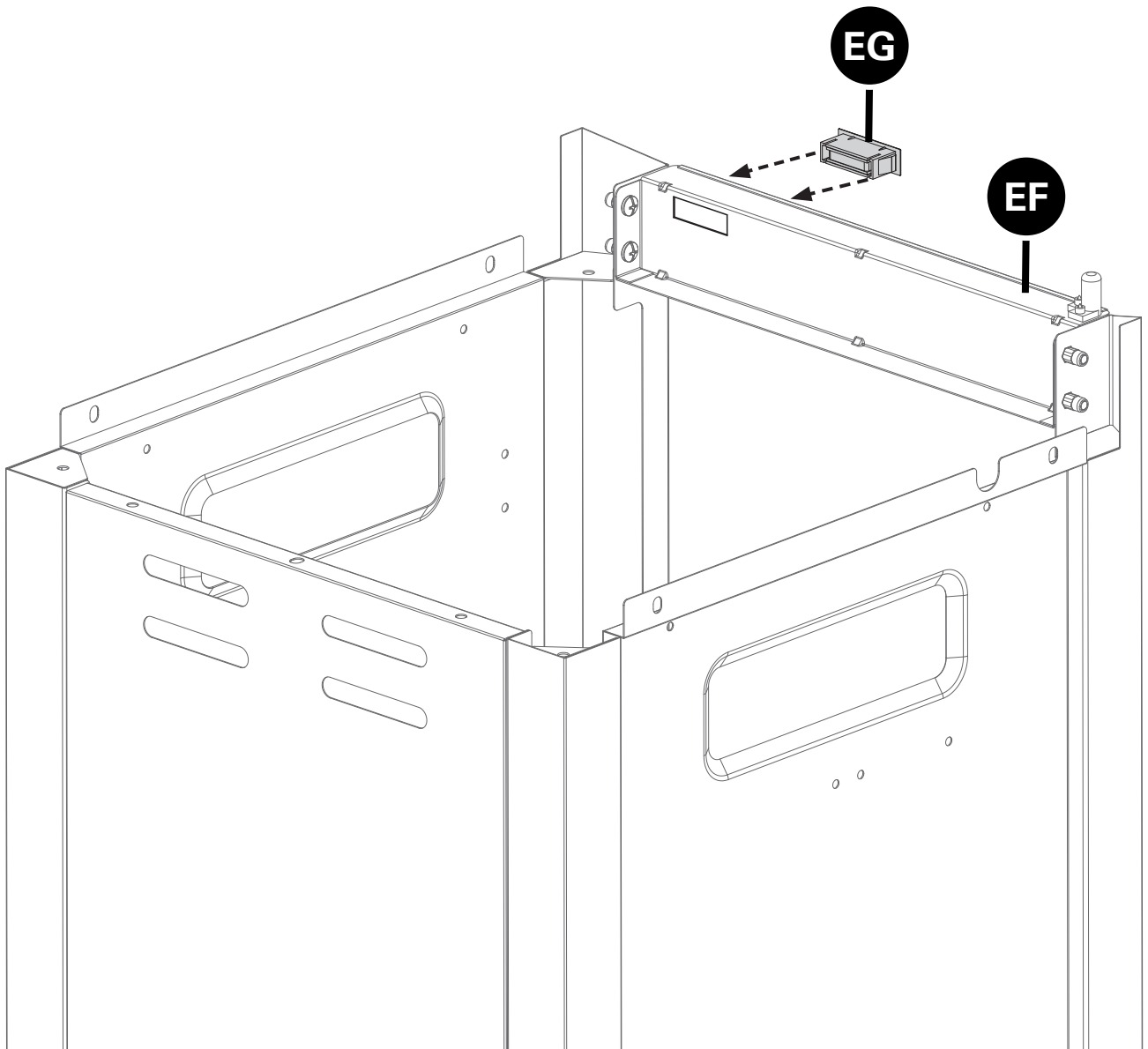
ASSEMBLY INSTRUCTIONS

6



ASSEMBLY INSTRUCTIONS

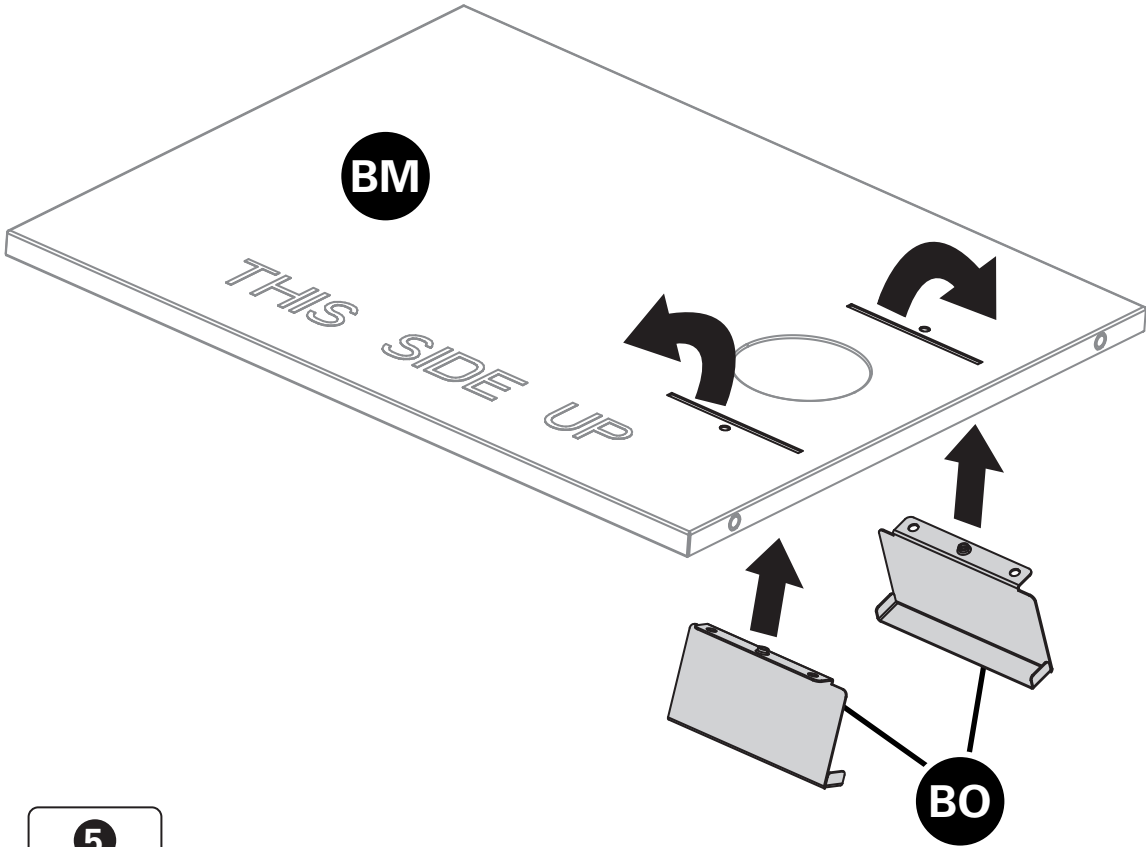
7



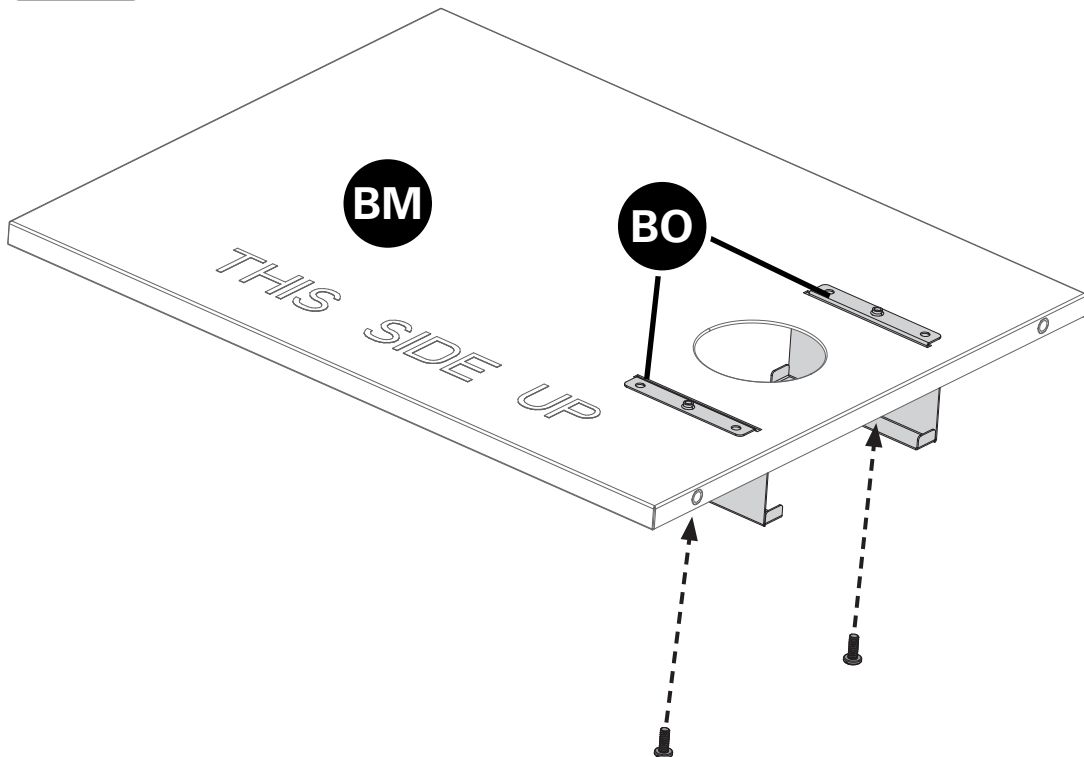
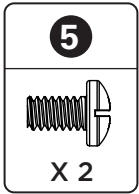
ASSEMBLY INSTRUCTIONS

8

A.

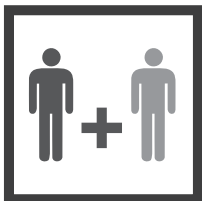
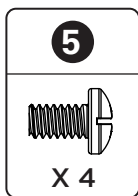


B.

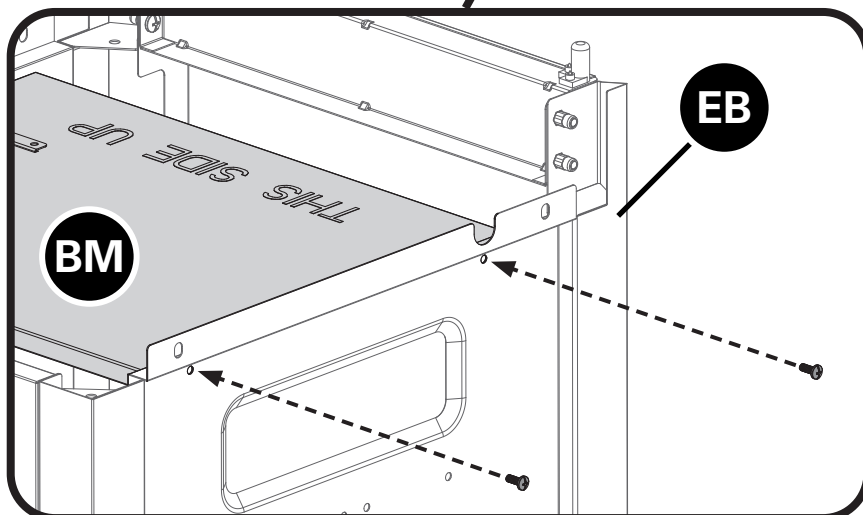
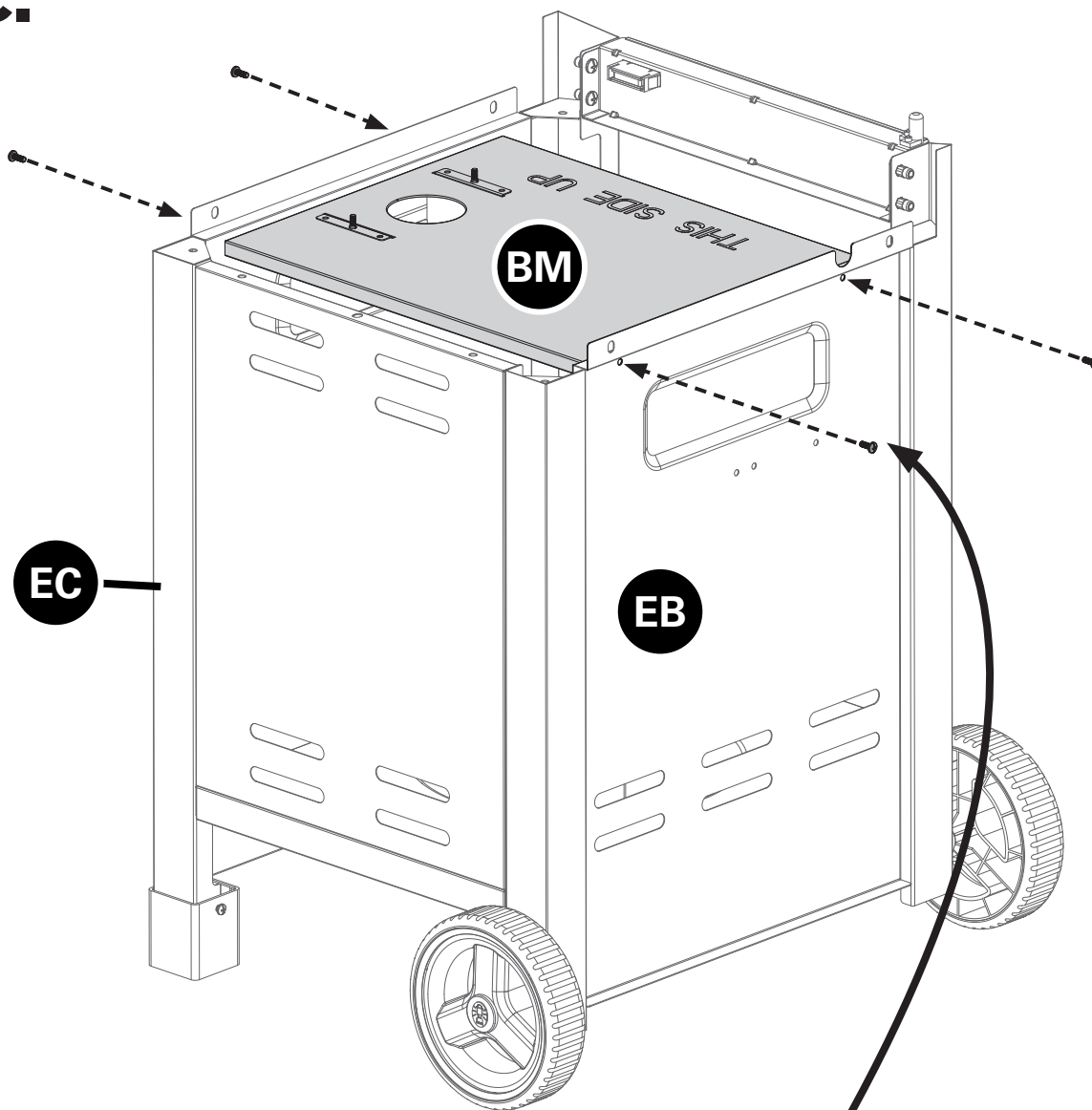


ASSEMBLY INSTRUCTIONS

8

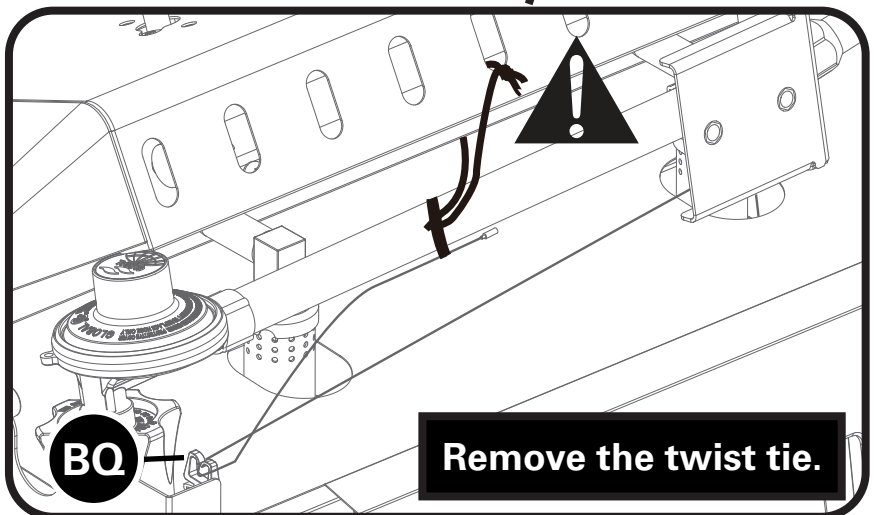
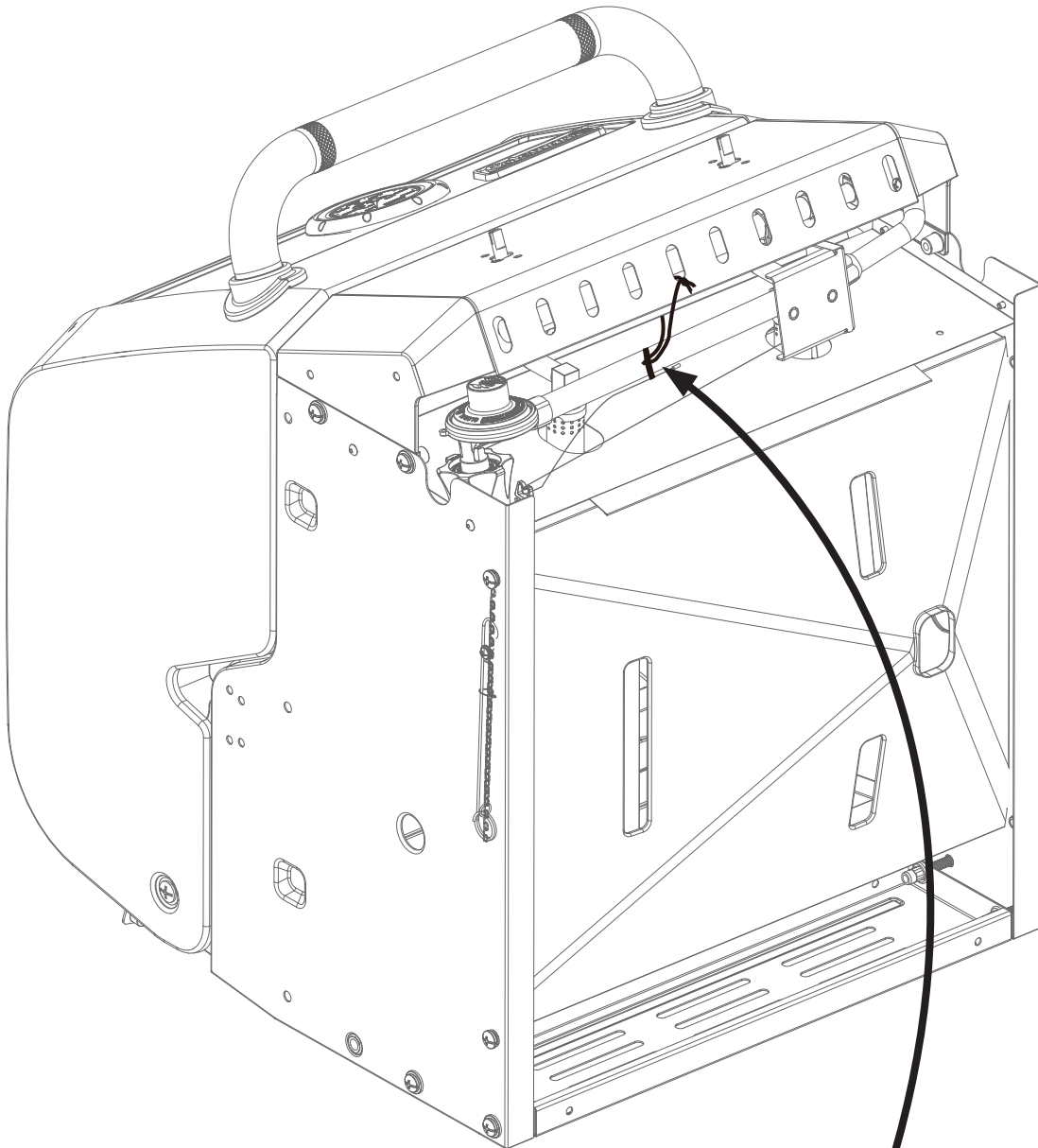


C.



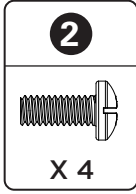
ASSEMBLY INSTRUCTIONS

9

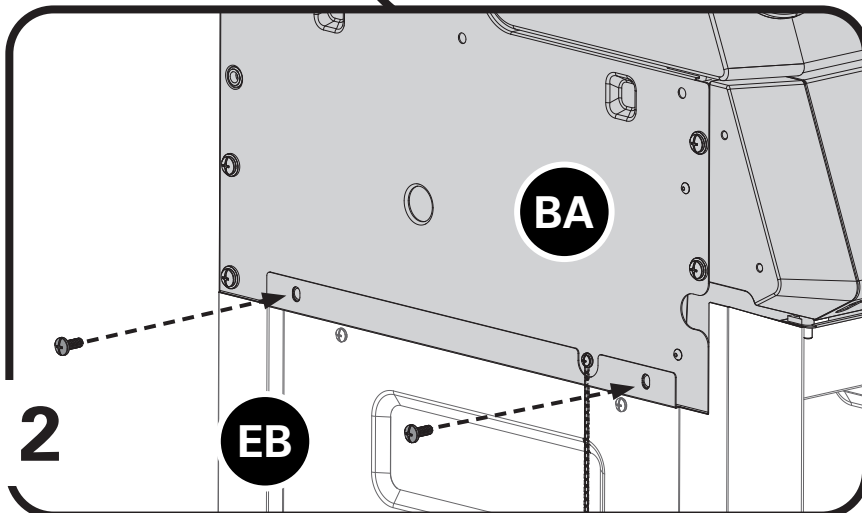
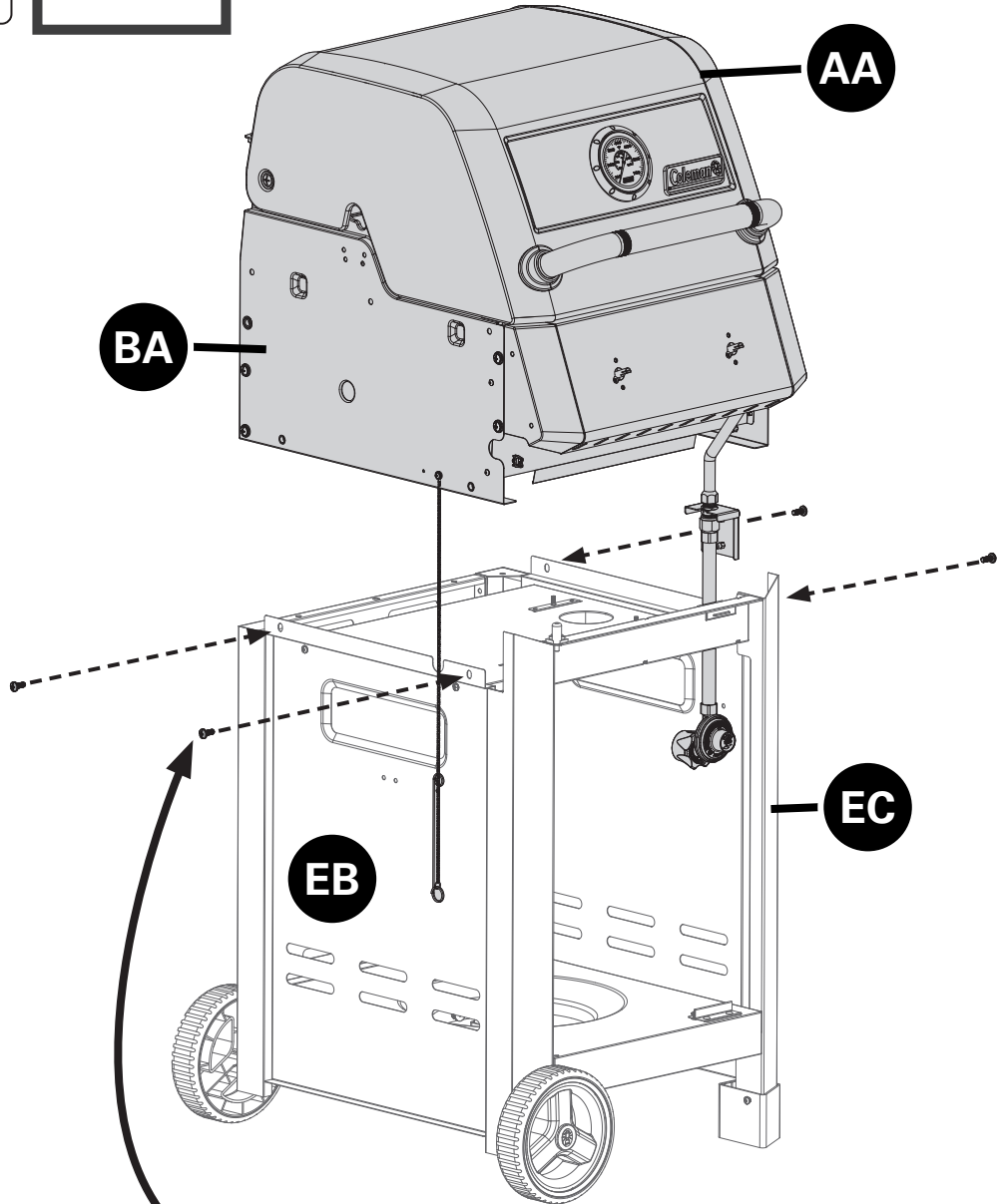


ASSEMBLY INSTRUCTIONS

10



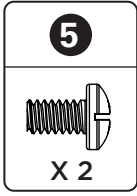
A.



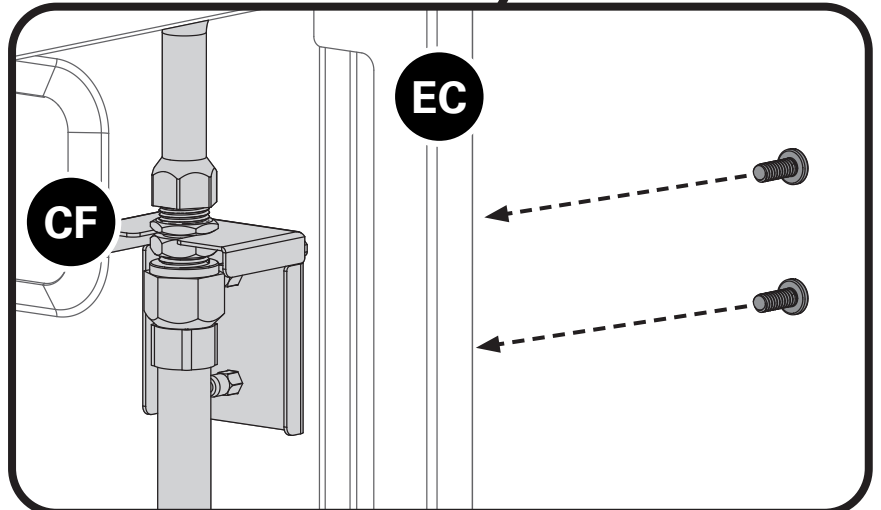
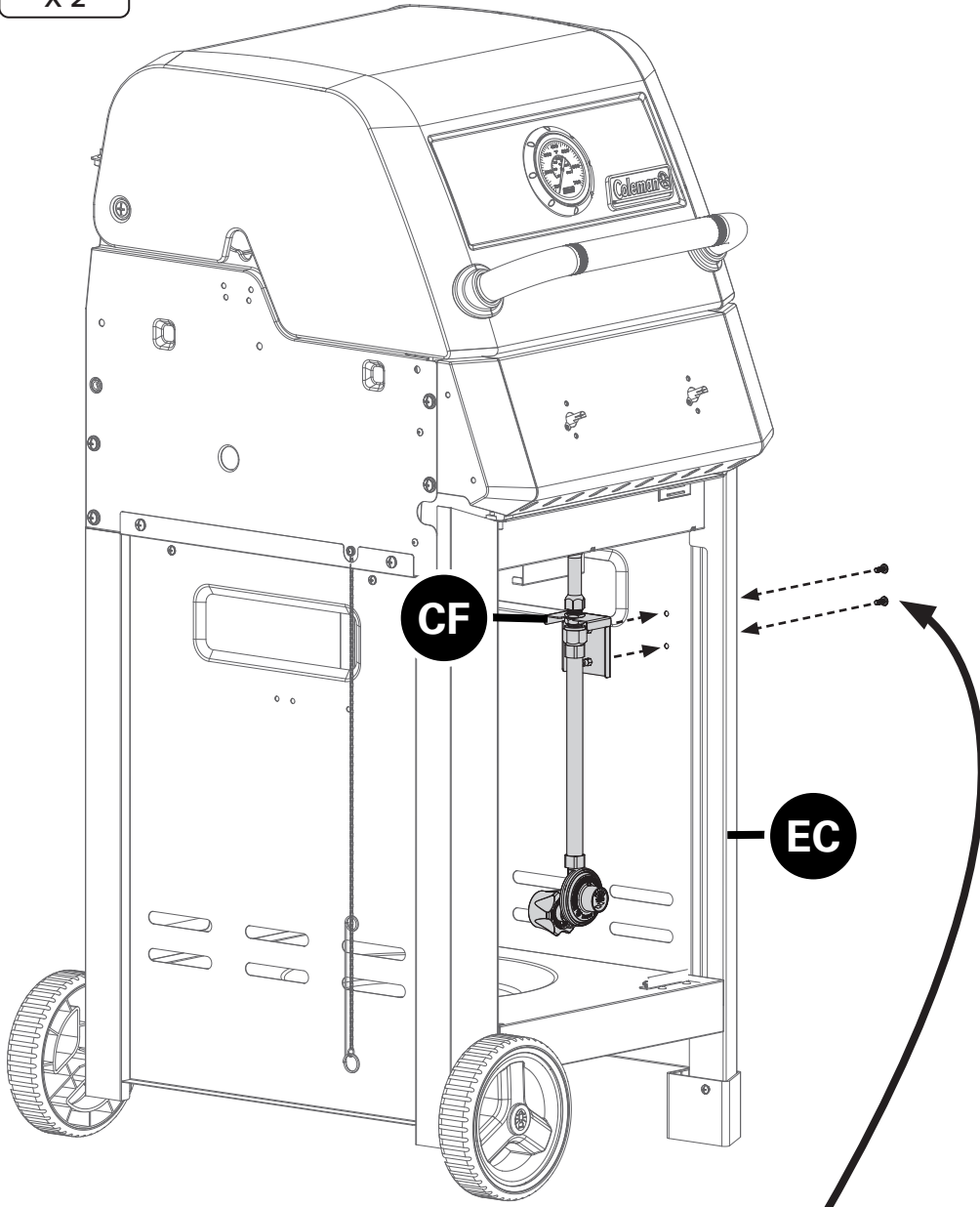
x 2

ASSEMBLY INSTRUCTIONS

10

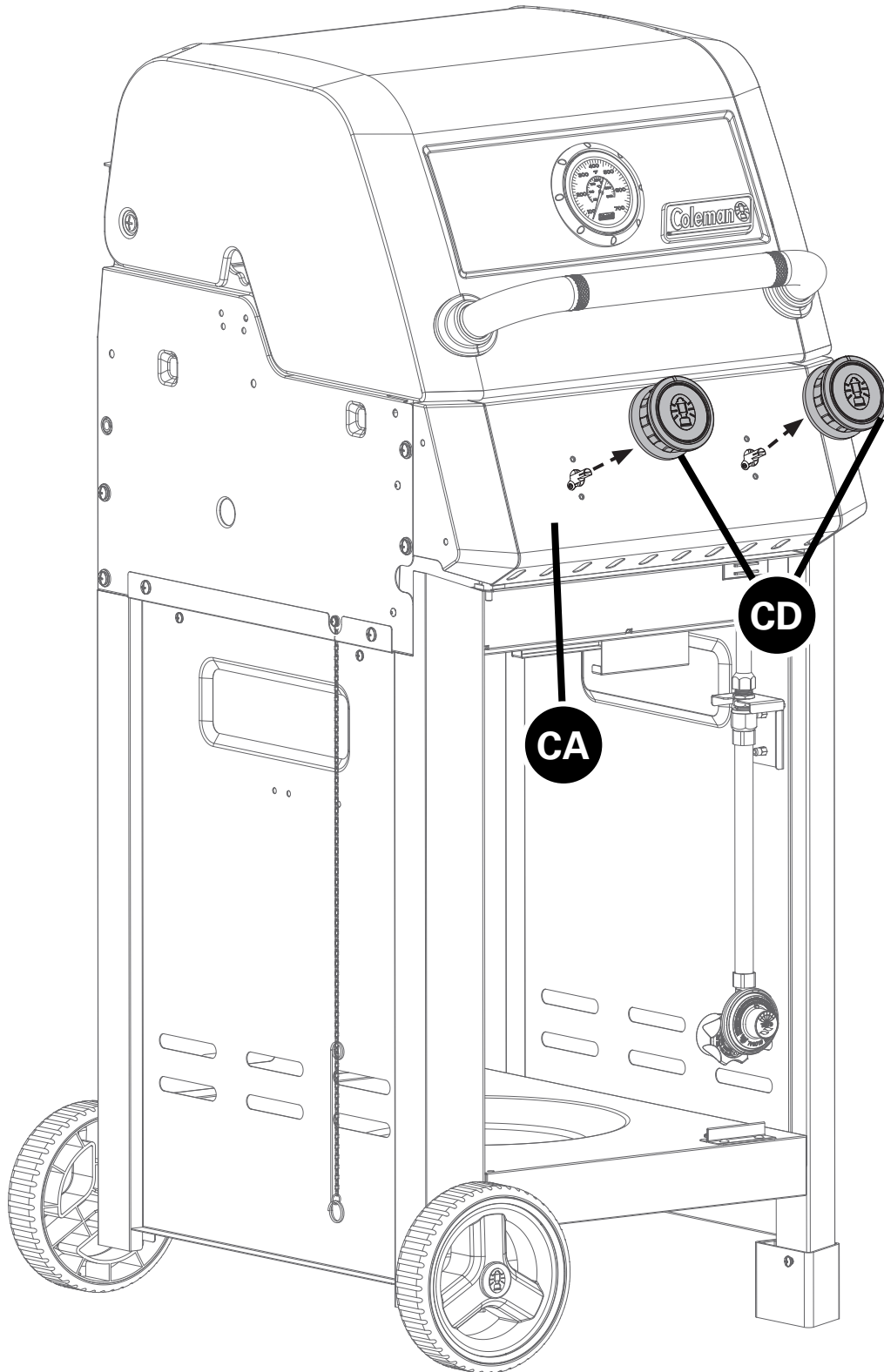


B.



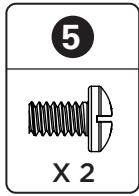
ASSEMBLY INSTRUCTIONS

11

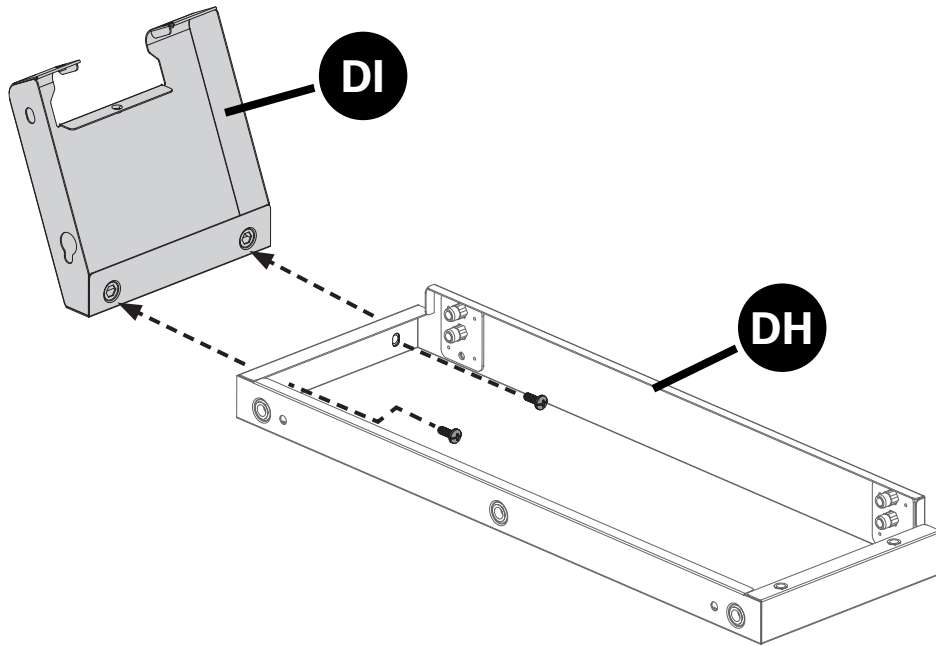


ASSEMBLY INSTRUCTIONS

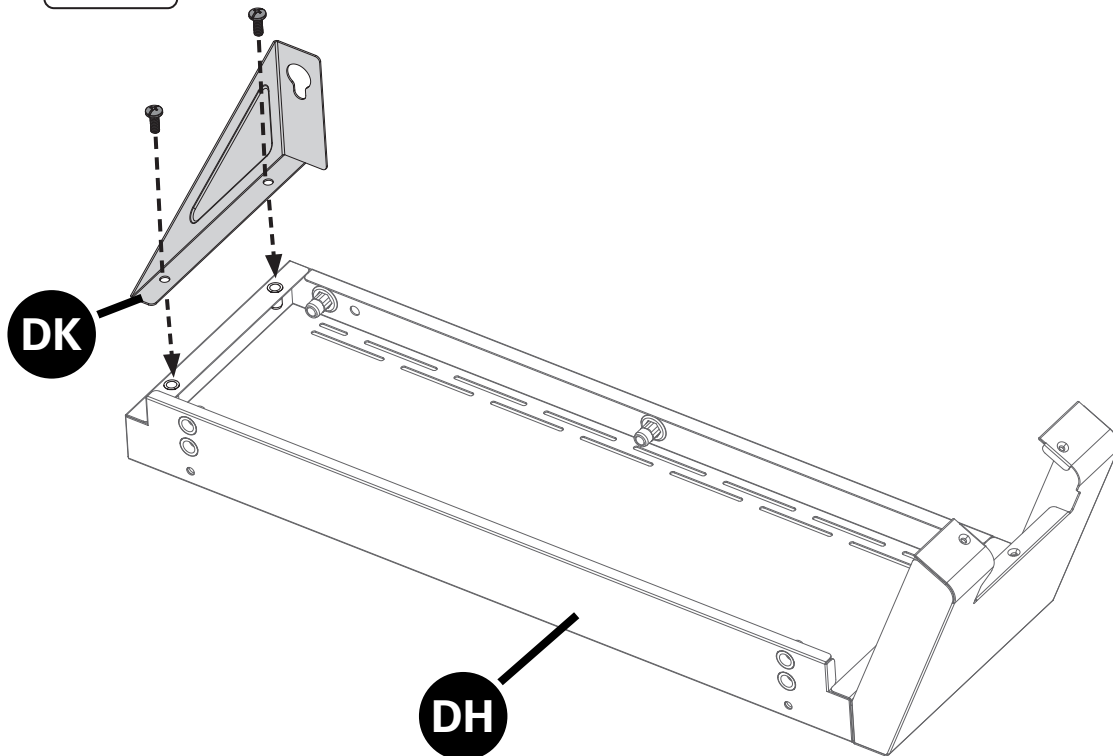
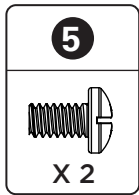
12



A.



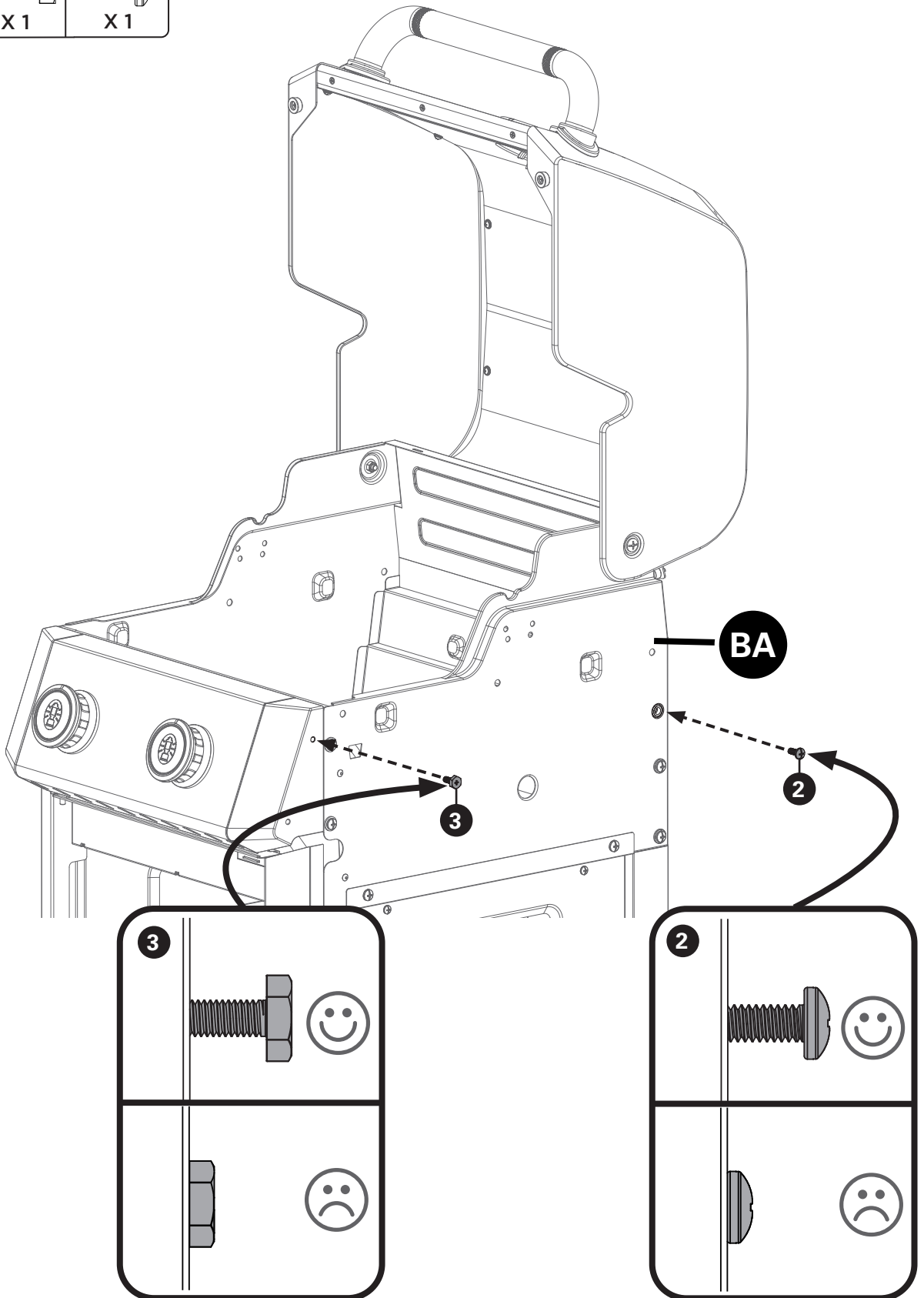
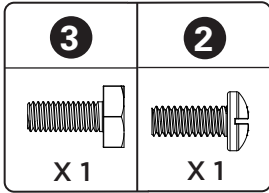
B.



ASSEMBLY INSTRUCTIONS

12

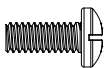

C.



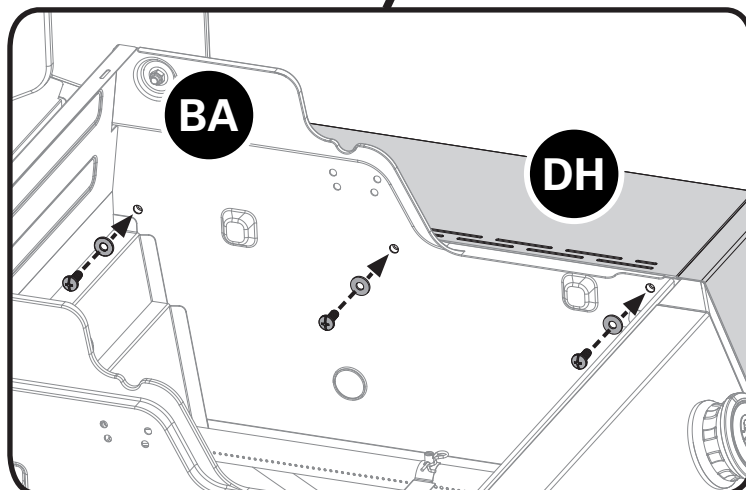
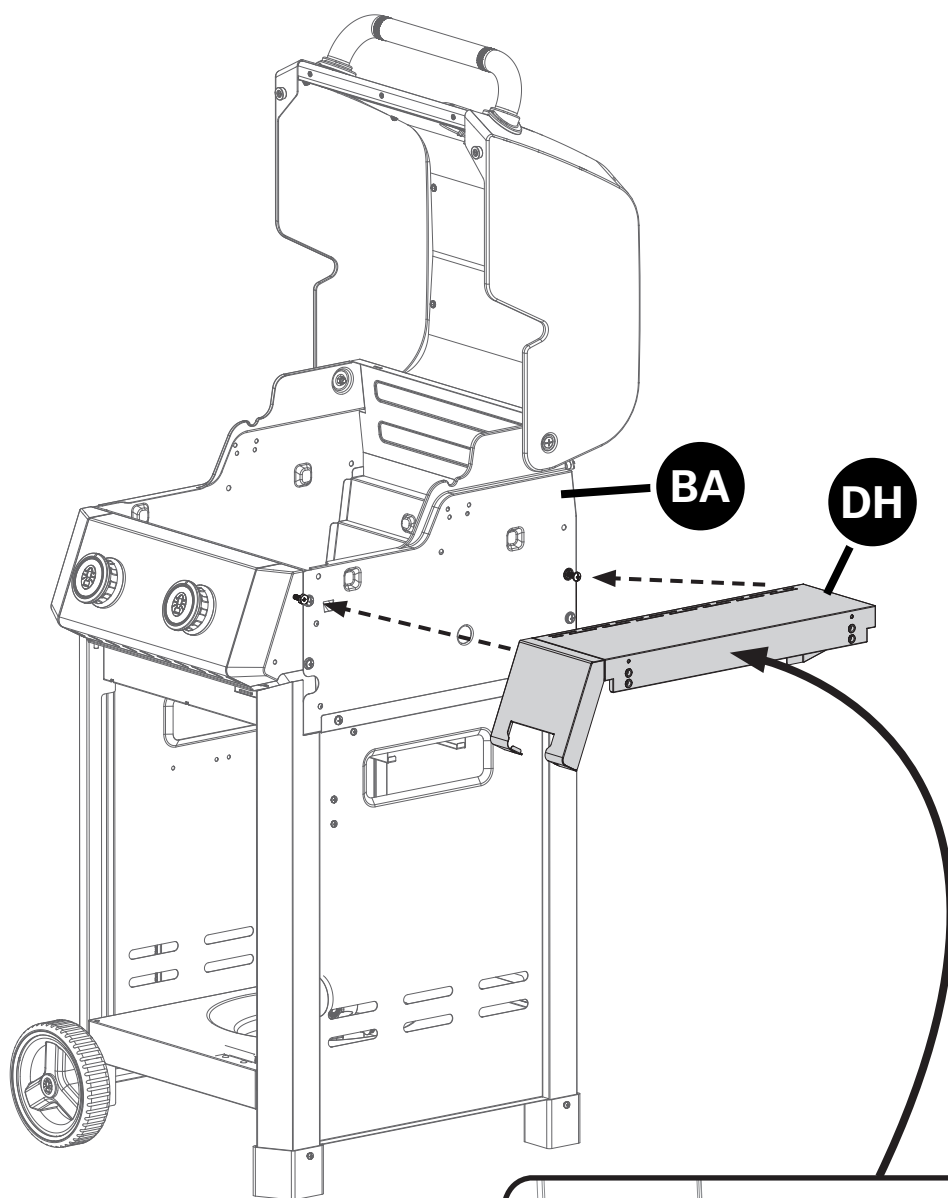
Don't tighten the screws.

ASSEMBLY INSTRUCTIONS

12

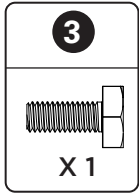
2  X 3	8  X 3
--	--

D.

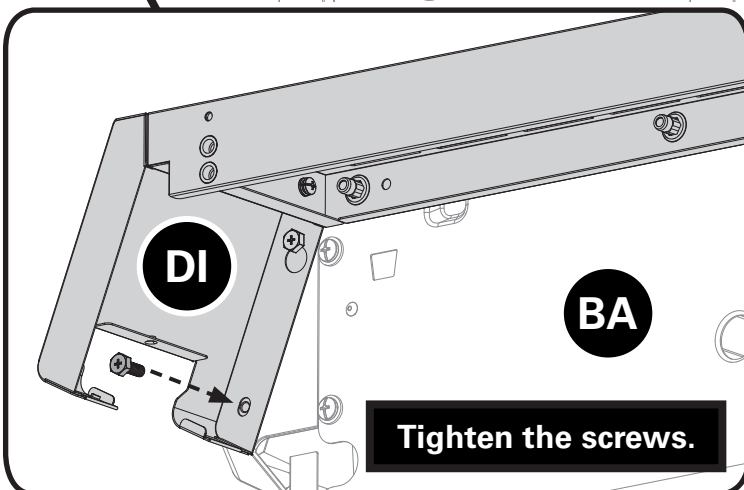
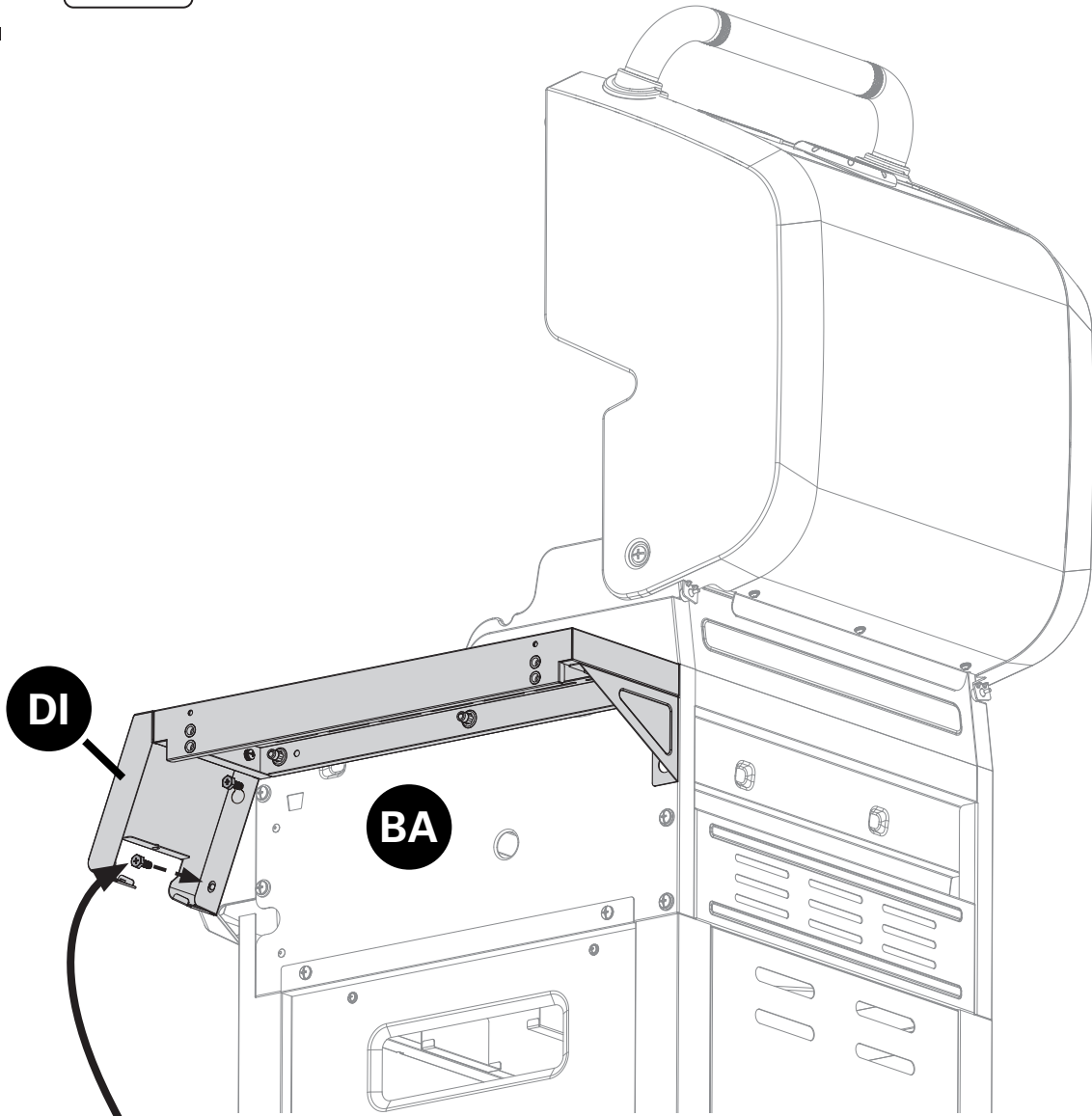


ASSEMBLY INSTRUCTIONS

12

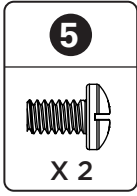


E.

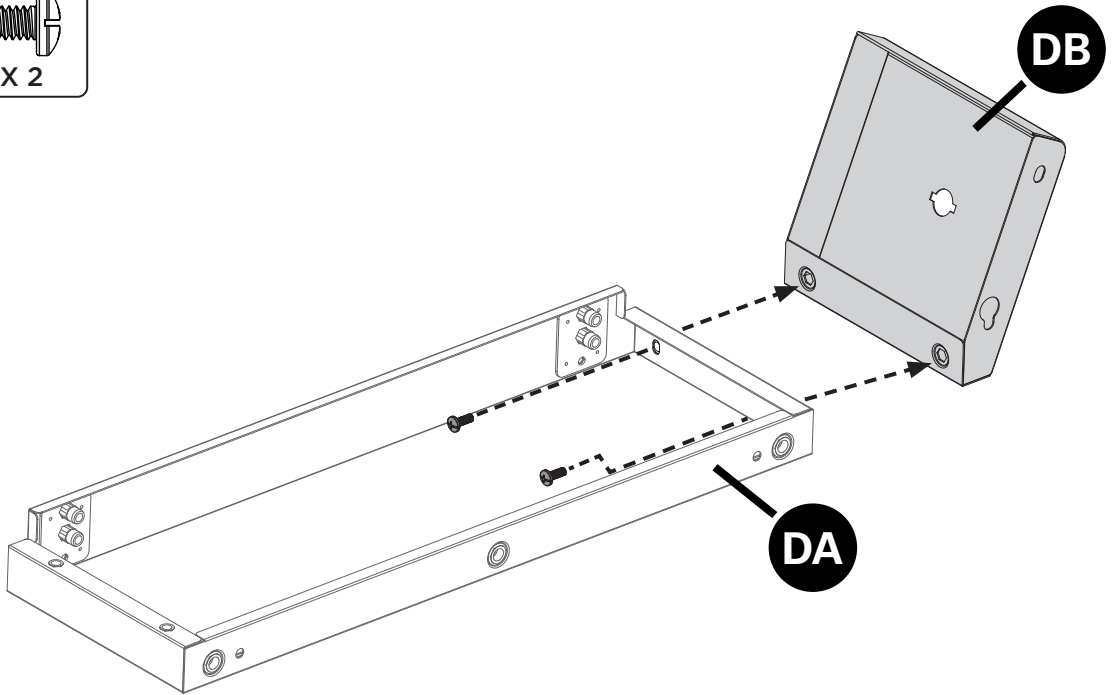


ASSEMBLY INSTRUCTIONS

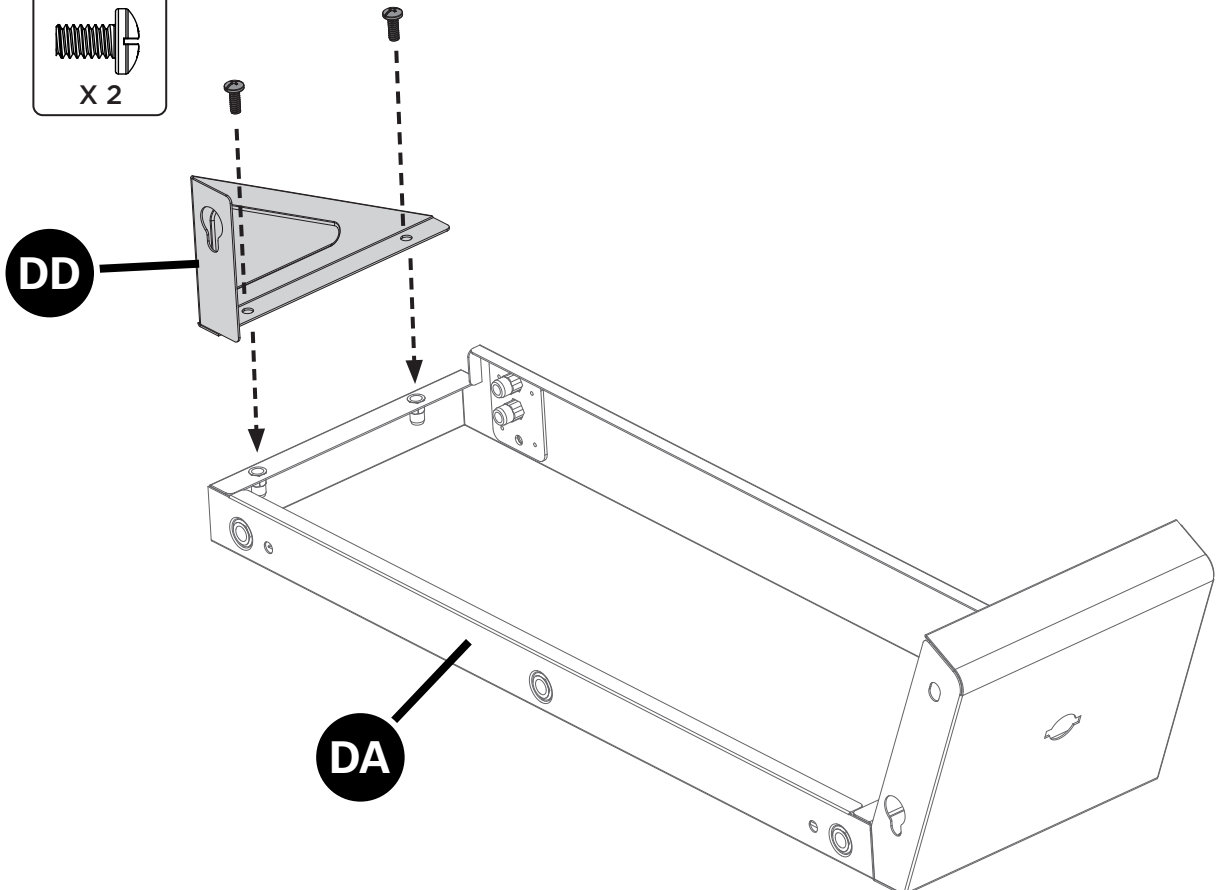
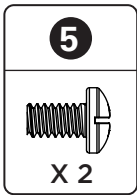
13



A.



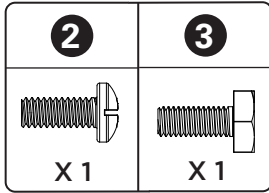
B.



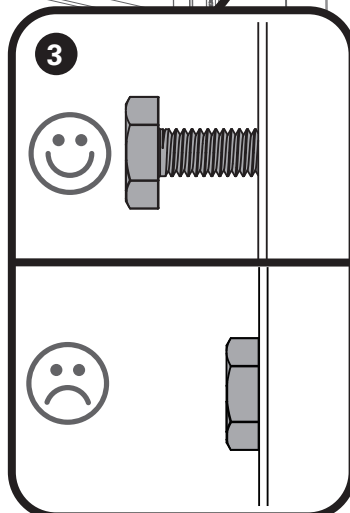
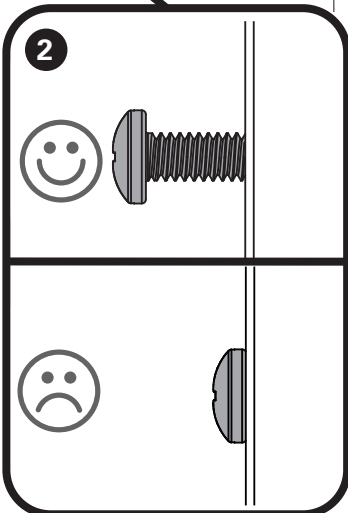
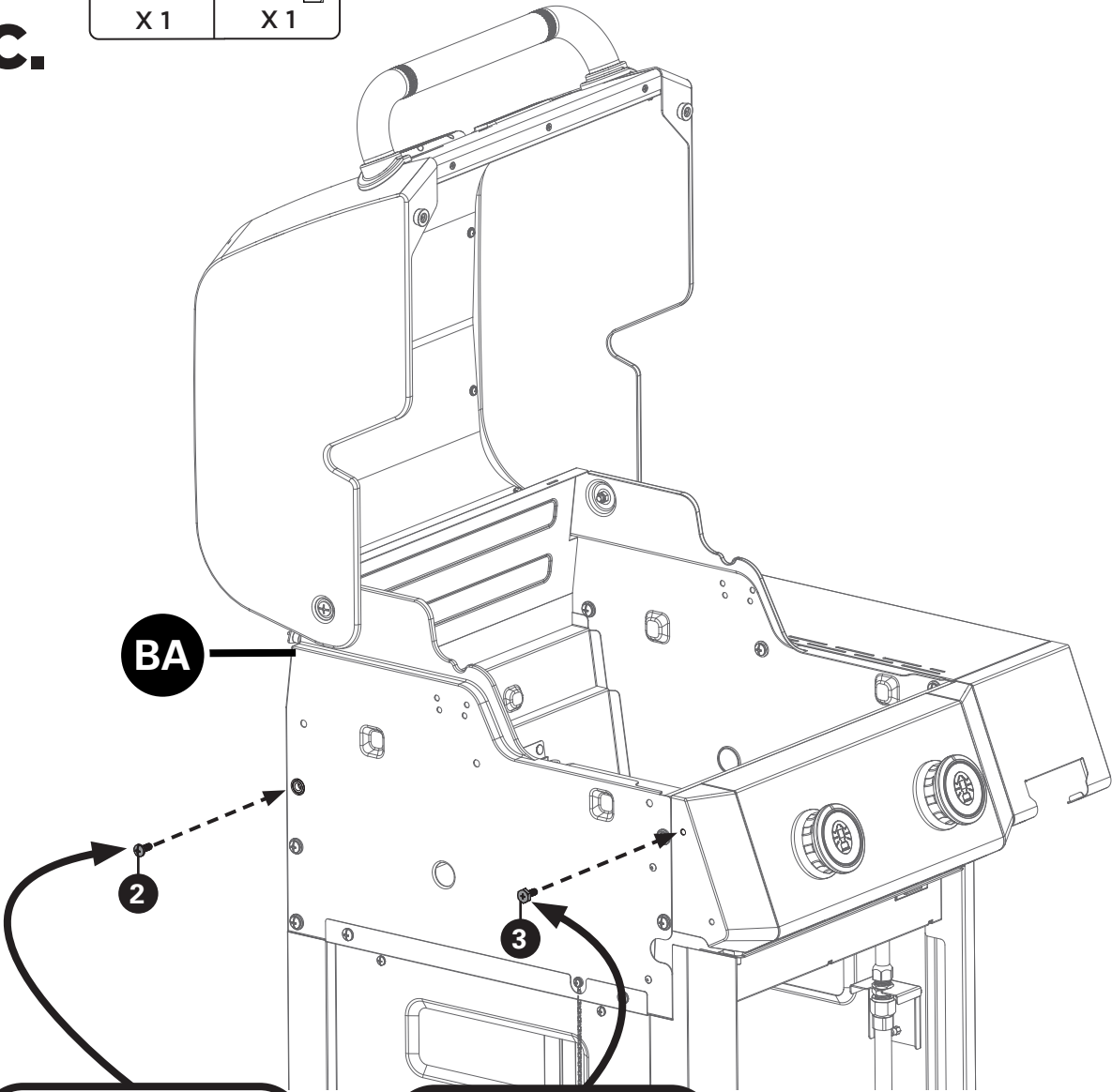
ASSEMBLY INSTRUCTIONS

13

C.



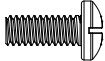

BA



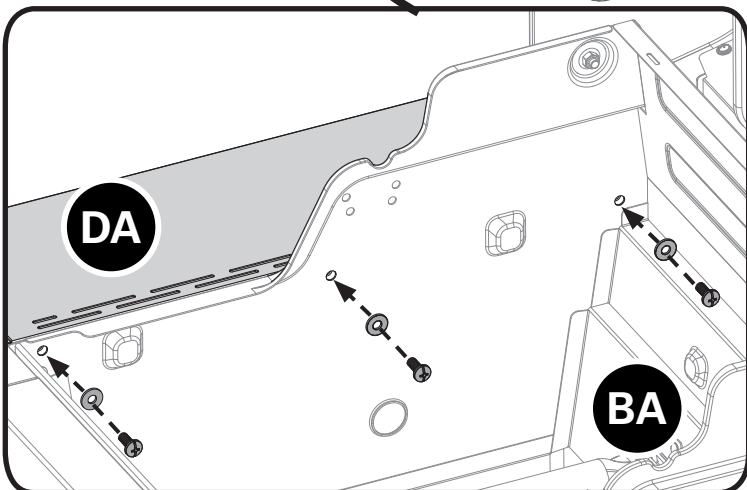
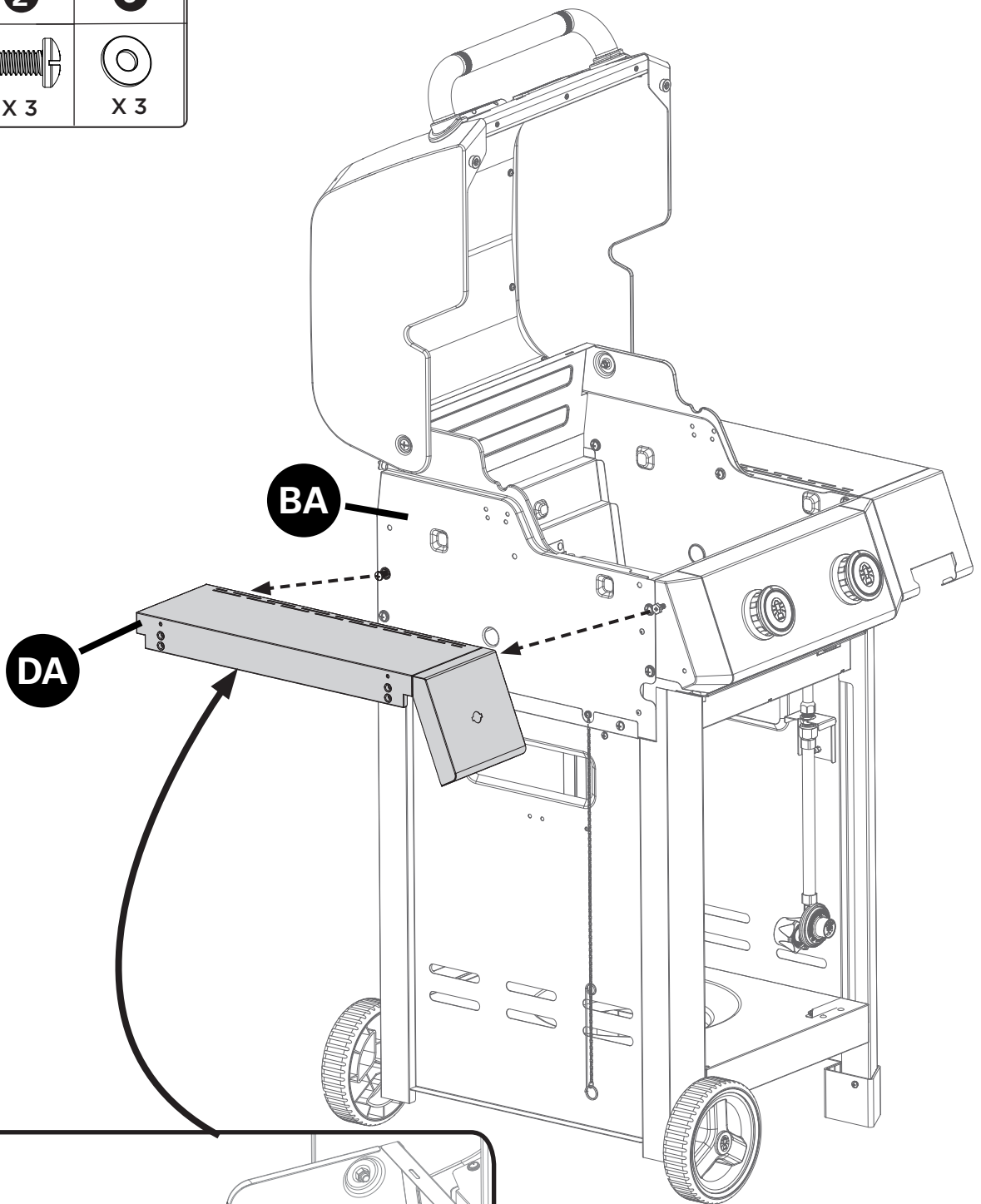
Don't tighten the screws.

ASSEMBLY INSTRUCTIONS

13

2  X 3	8  X 3
--	--

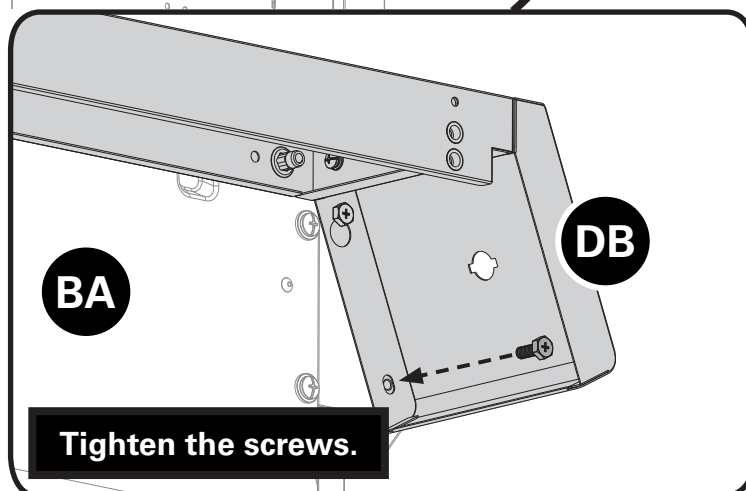
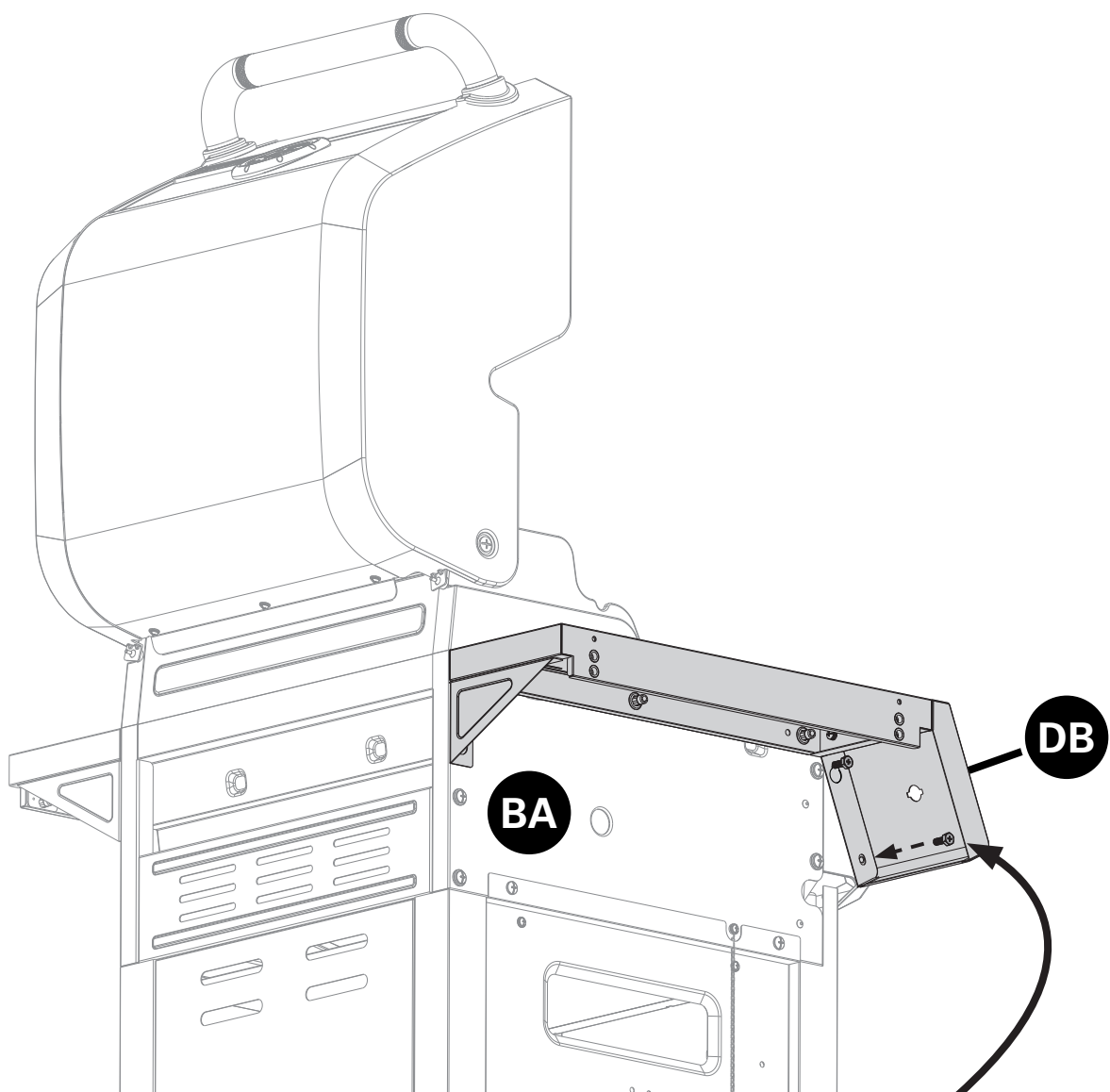
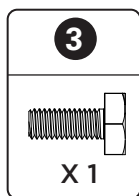
D.



ASSEMBLY INSTRUCTIONS

13

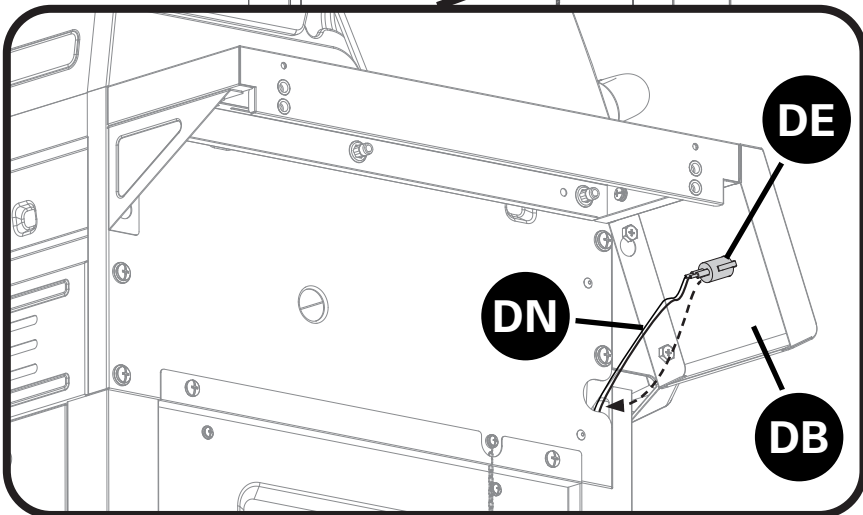
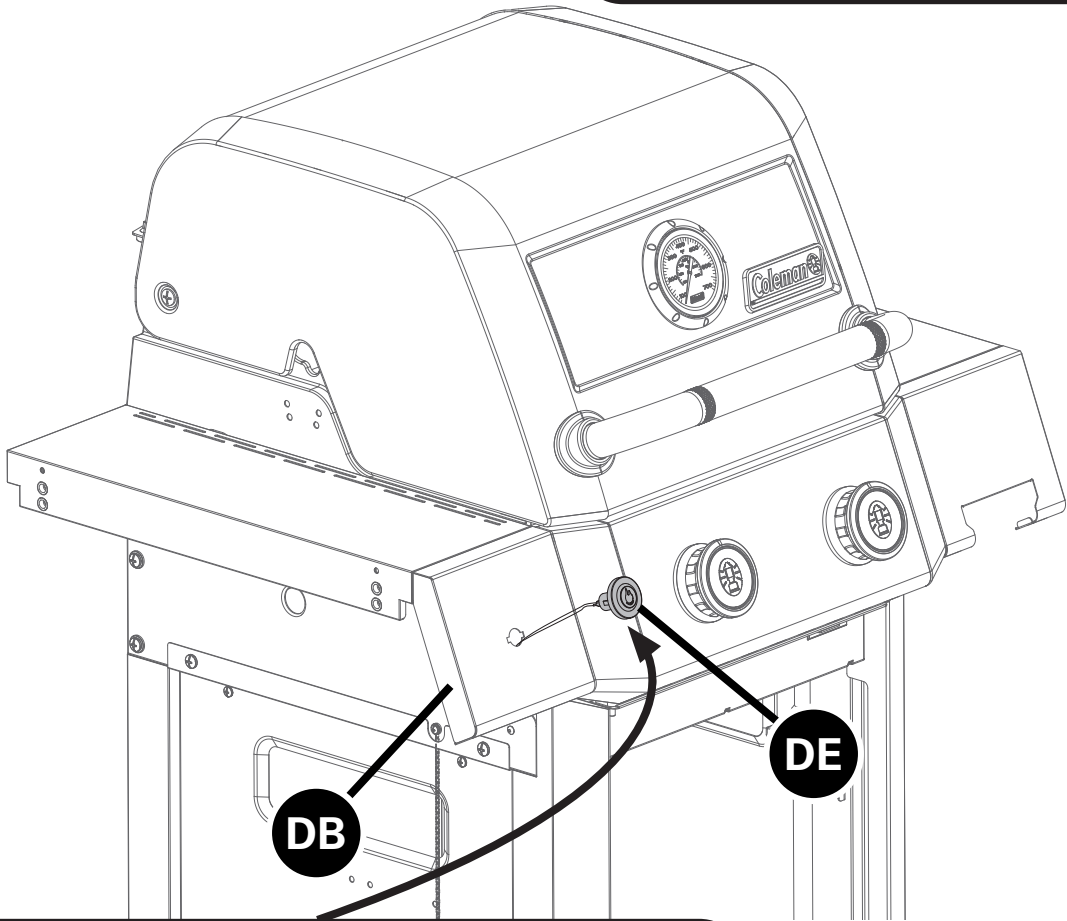
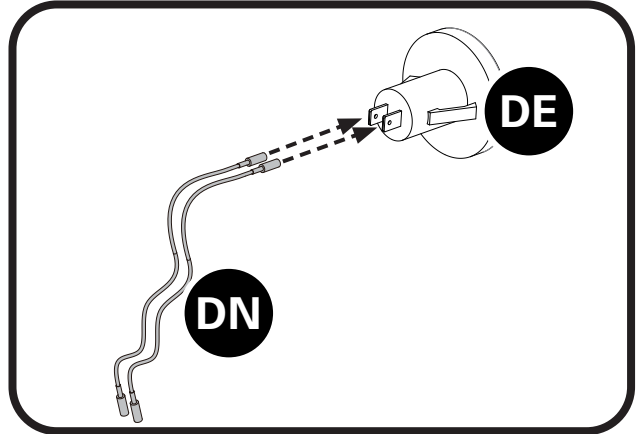
E.



ASSEMBLY INSTRUCTIONS

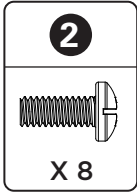
13

F.

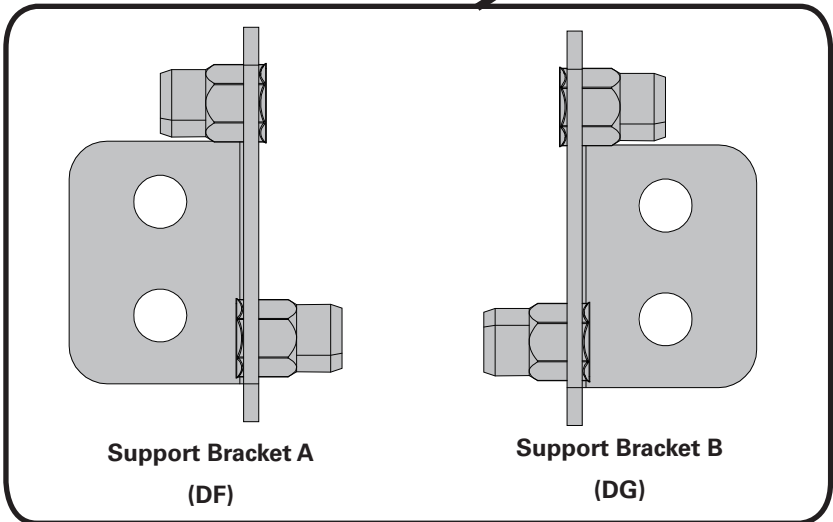
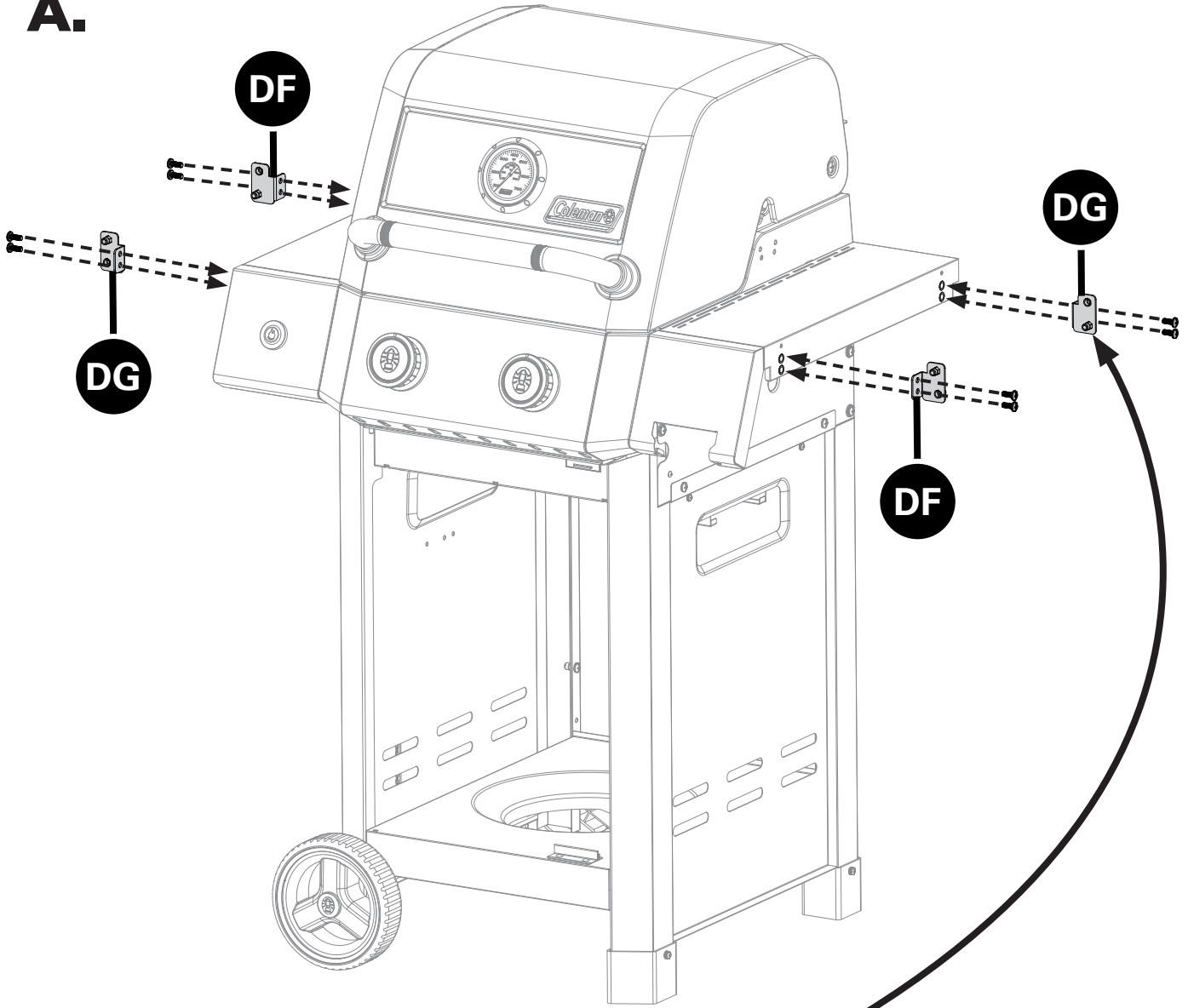


ASSEMBLY INSTRUCTIONS

14



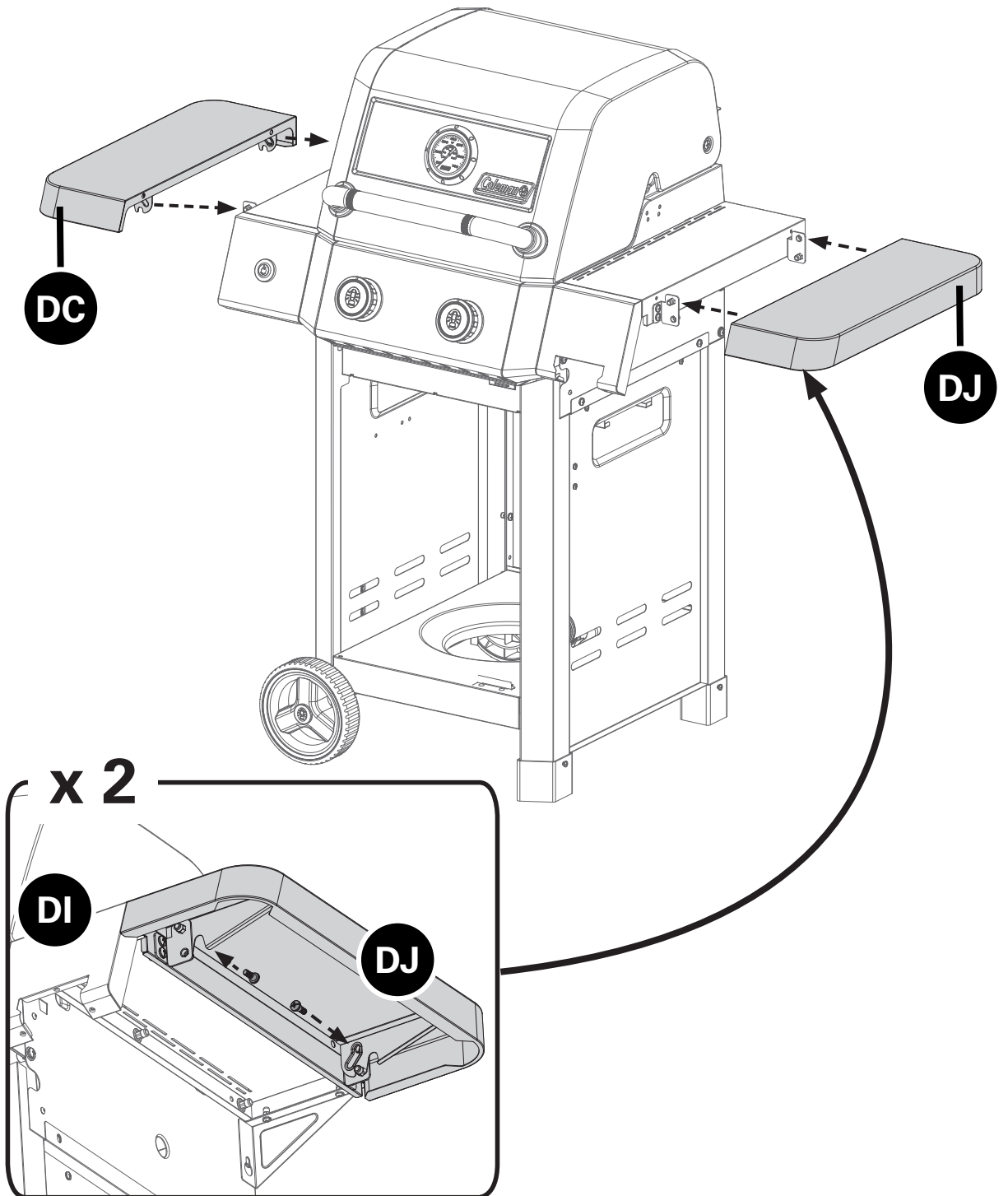
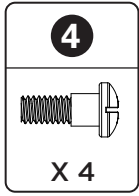
A.



ASSEMBLY INSTRUCTIONS




14

B.

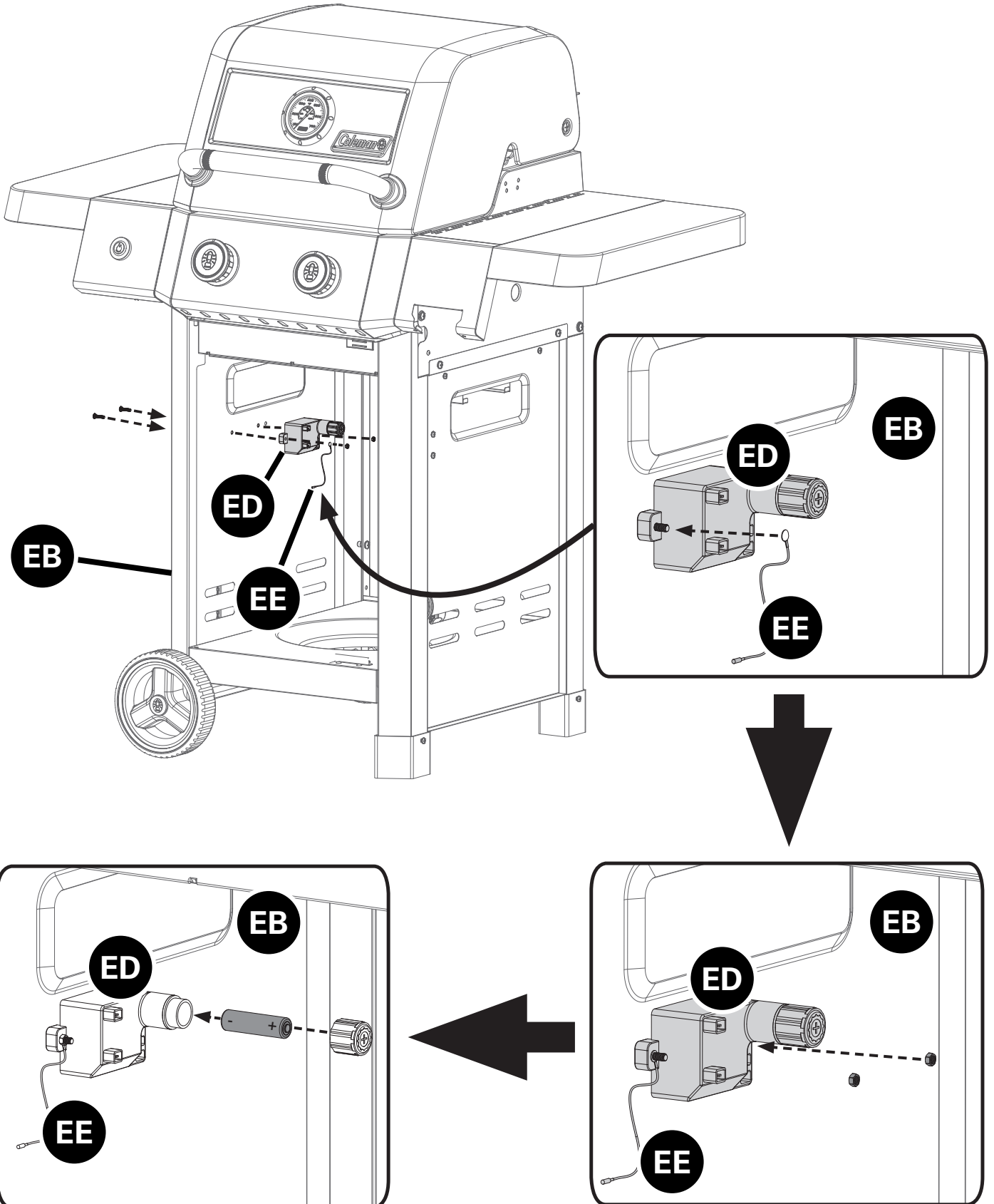


ASSEMBLY INSTRUCTIONS

15

6  X 2	9  X 2	12  X 1
--	--	---

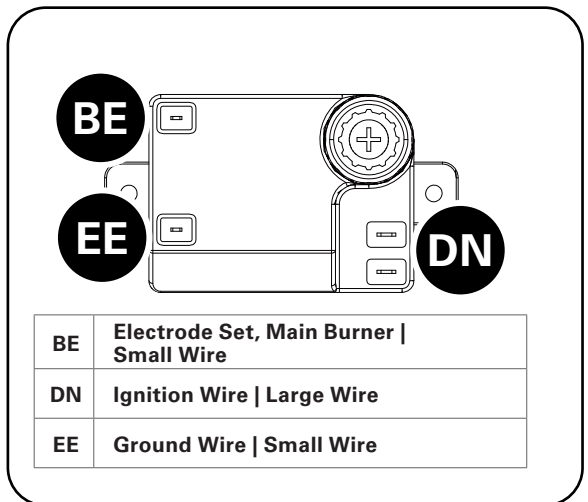
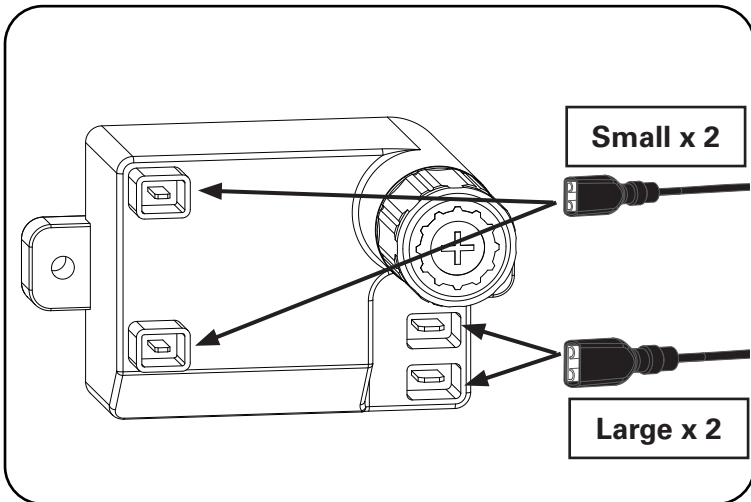
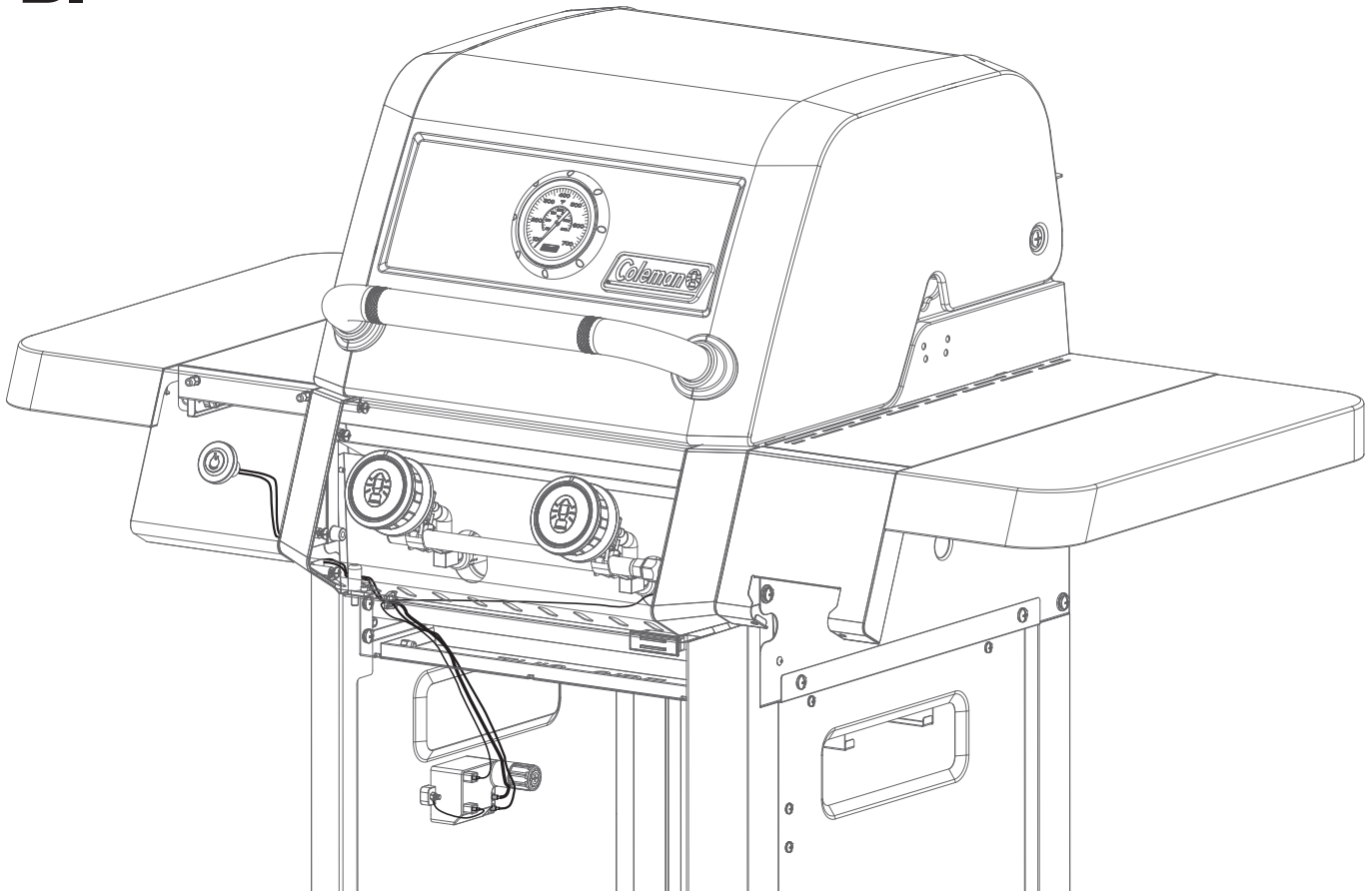
A.



ASSEMBLY INSTRUCTIONS

15

B.

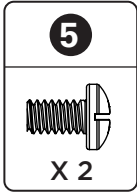


If not immediately visible, the electrode wires BE can be found behind the control panel.

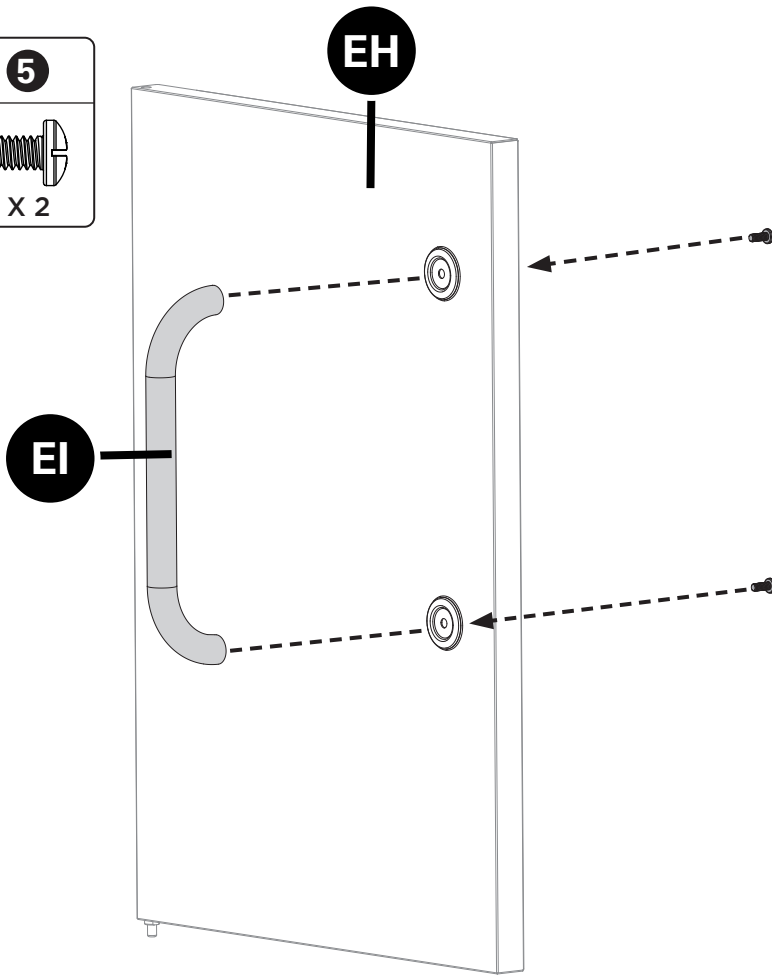
Tip: Firmly grasp the wires between your thumb and index finger. Insert the wire into the appropriate terminal until a positive connection is made.

ASSEMBLY INSTRUCTIONS

16

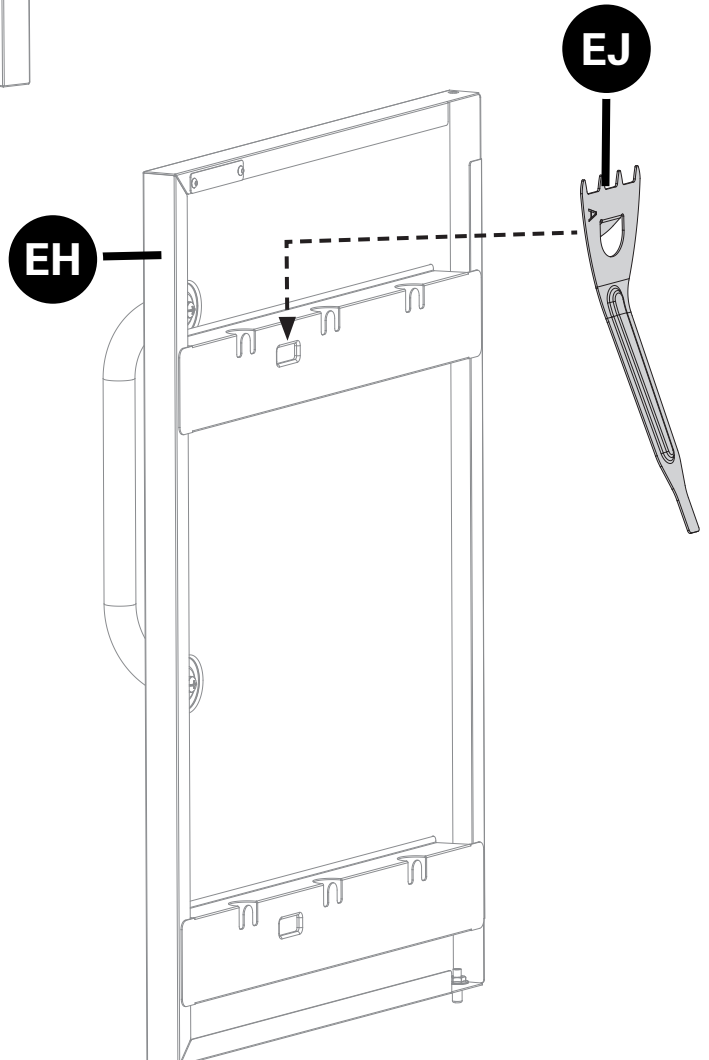


A.



Grate Cleaning Tool

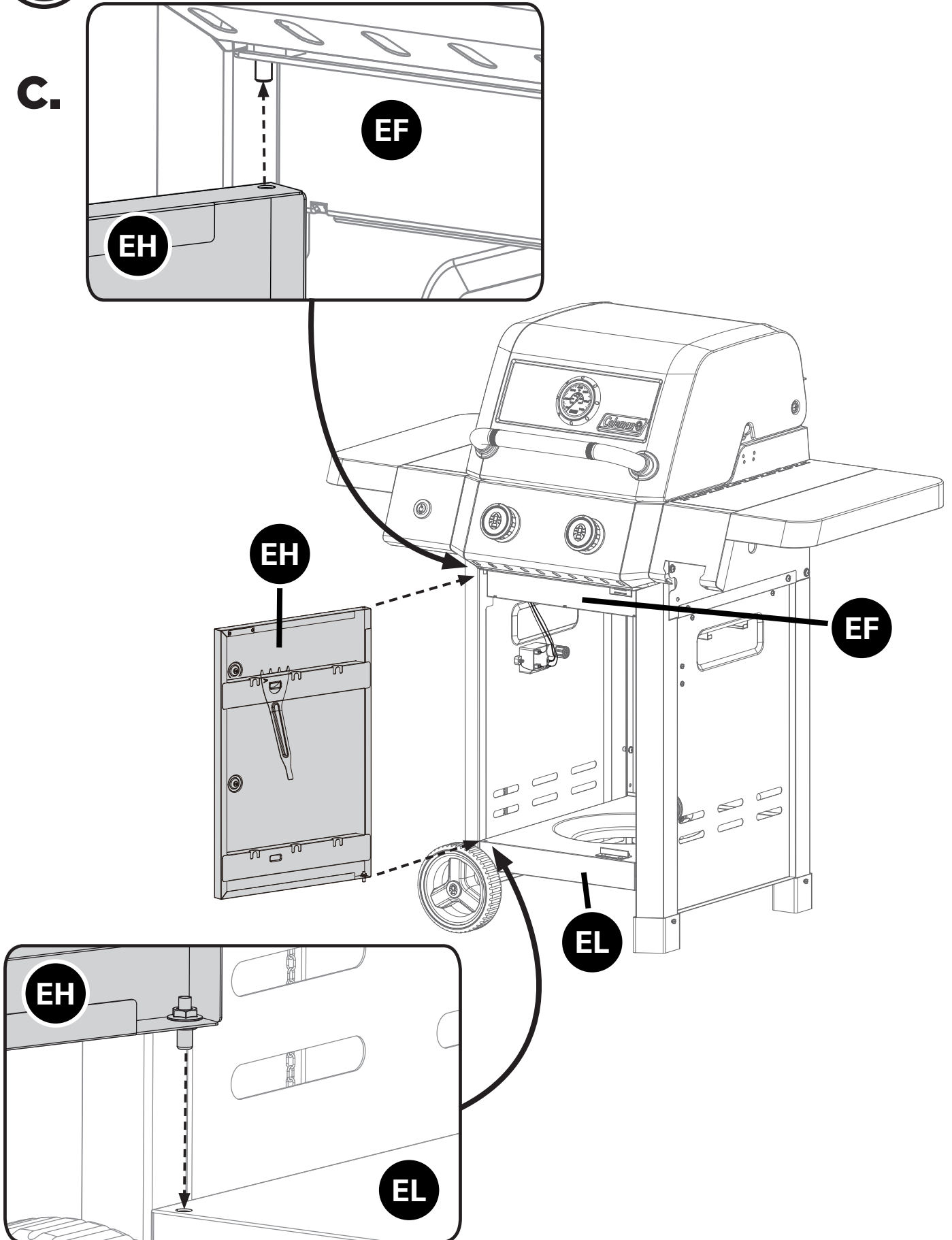
B.



ASSEMBLY INSTRUCTIONS

16

C.



ASSEMBLY INSTRUCTIONS



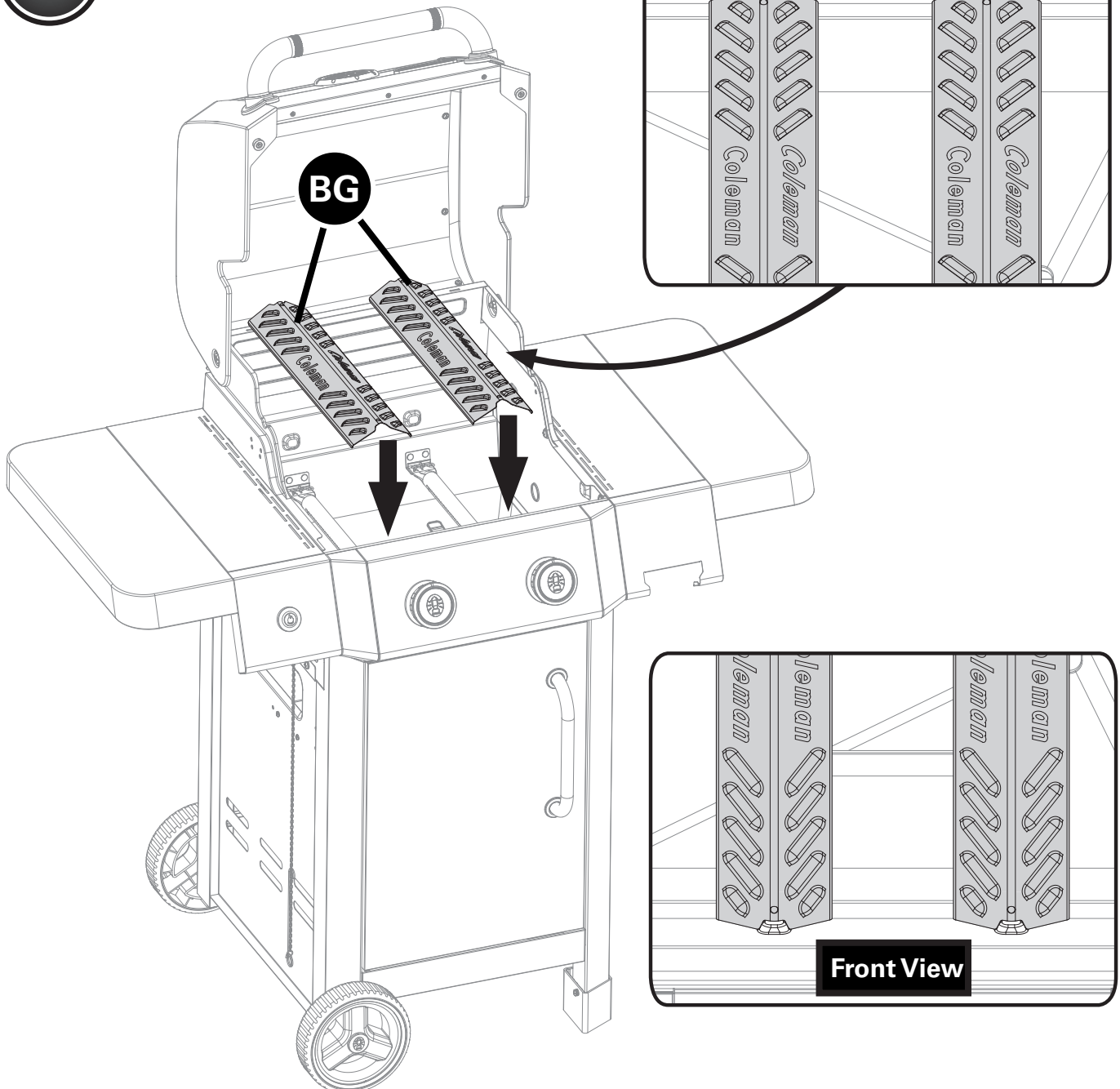
CONVERTIBLE VALVE SYSTEM™

ATTENTION:

Your model includes the CONVERTIBLE VALVE SYSTEM. If you wish to convert your barbecue from propane to natural gas, you will need the Convertible Valve System Natural Gas Conversion Kit (085-2261-4).

Before completing steps 17 to 22, please ensure you follow the instructions outlined in the CONVERTIBLE VALVE SYSTEM instruction manual that accompanied the kit.

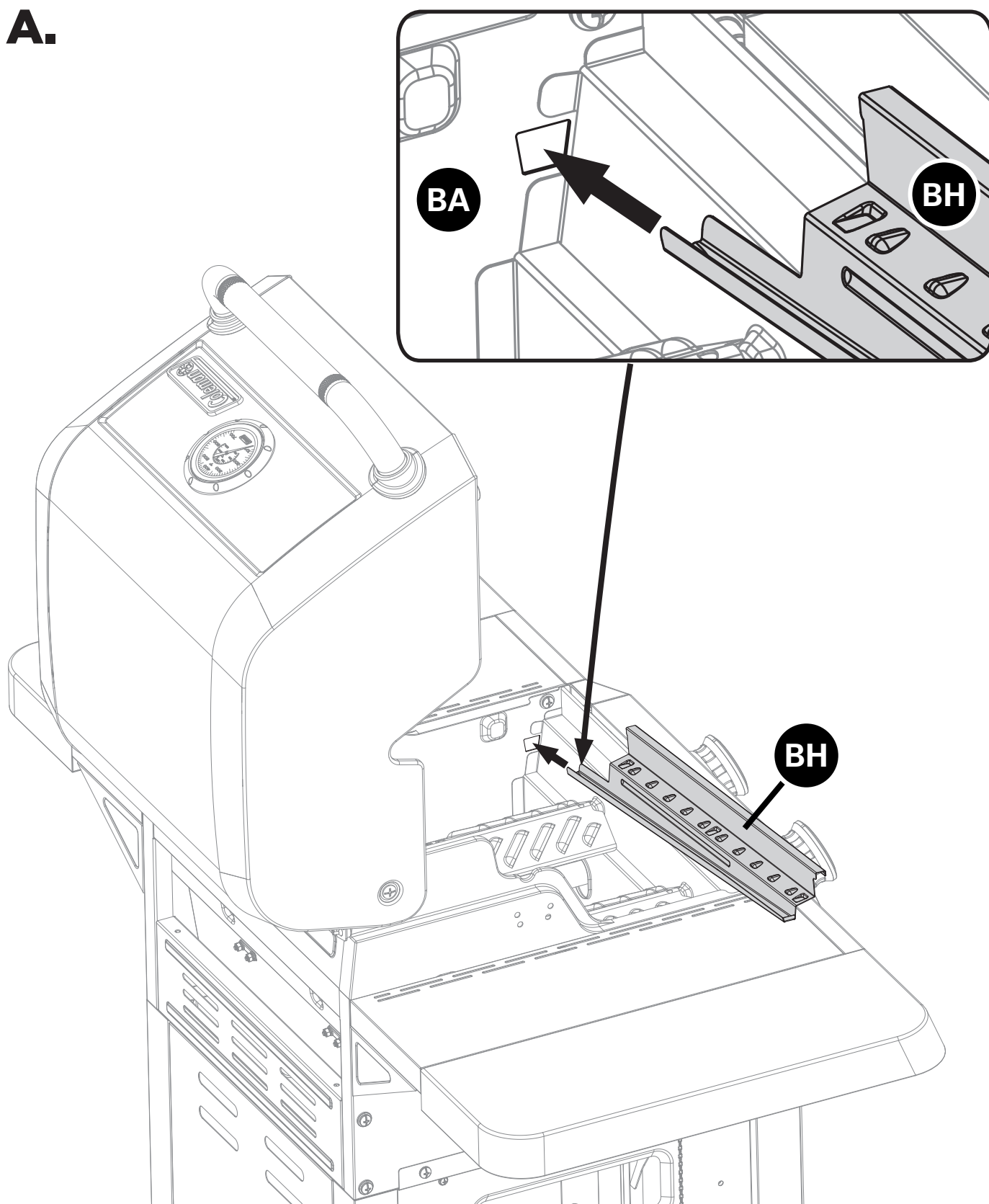
17



ASSEMBLY INSTRUCTIONS

18

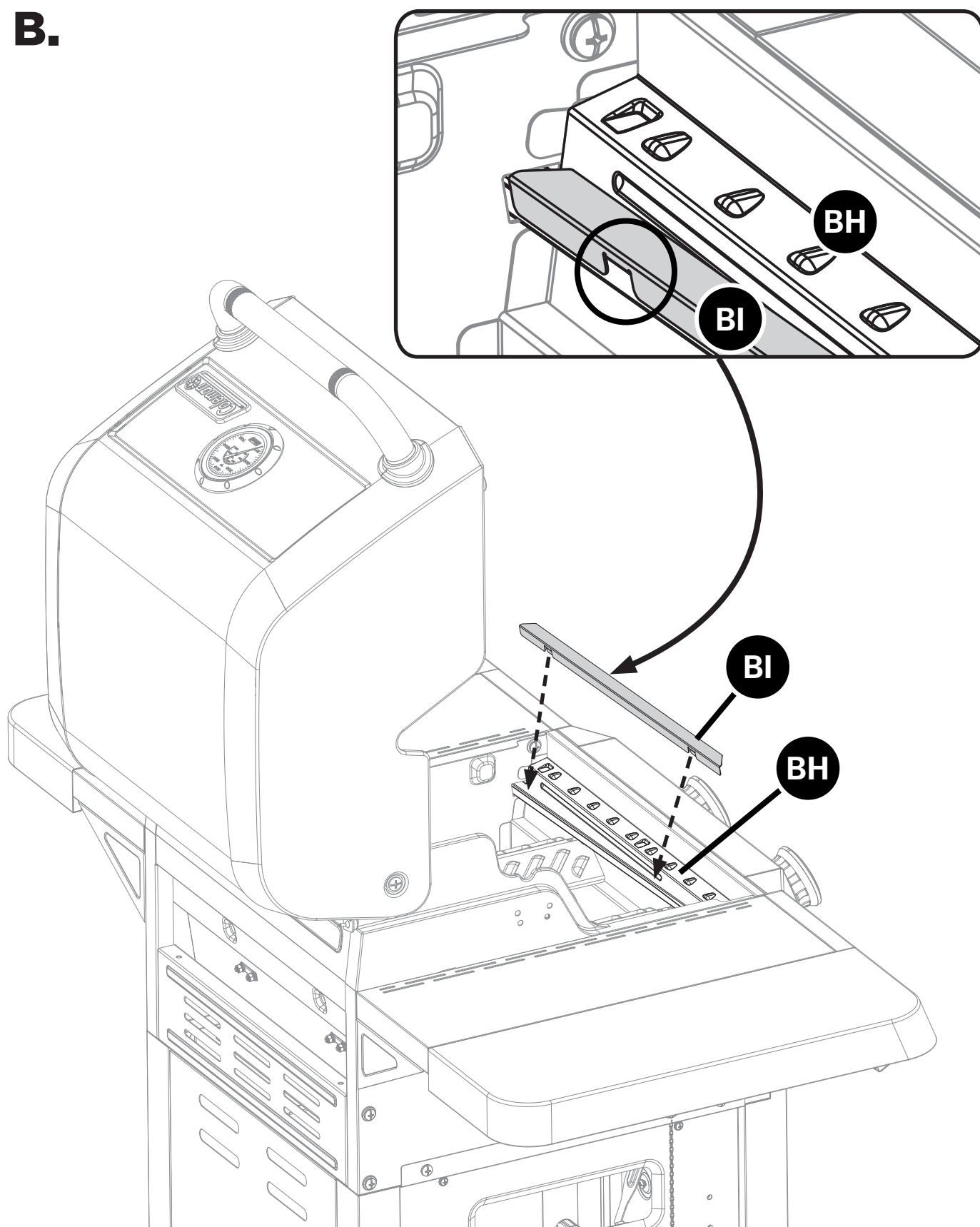
A.



ASSEMBLY INSTRUCTIONS

18

B.



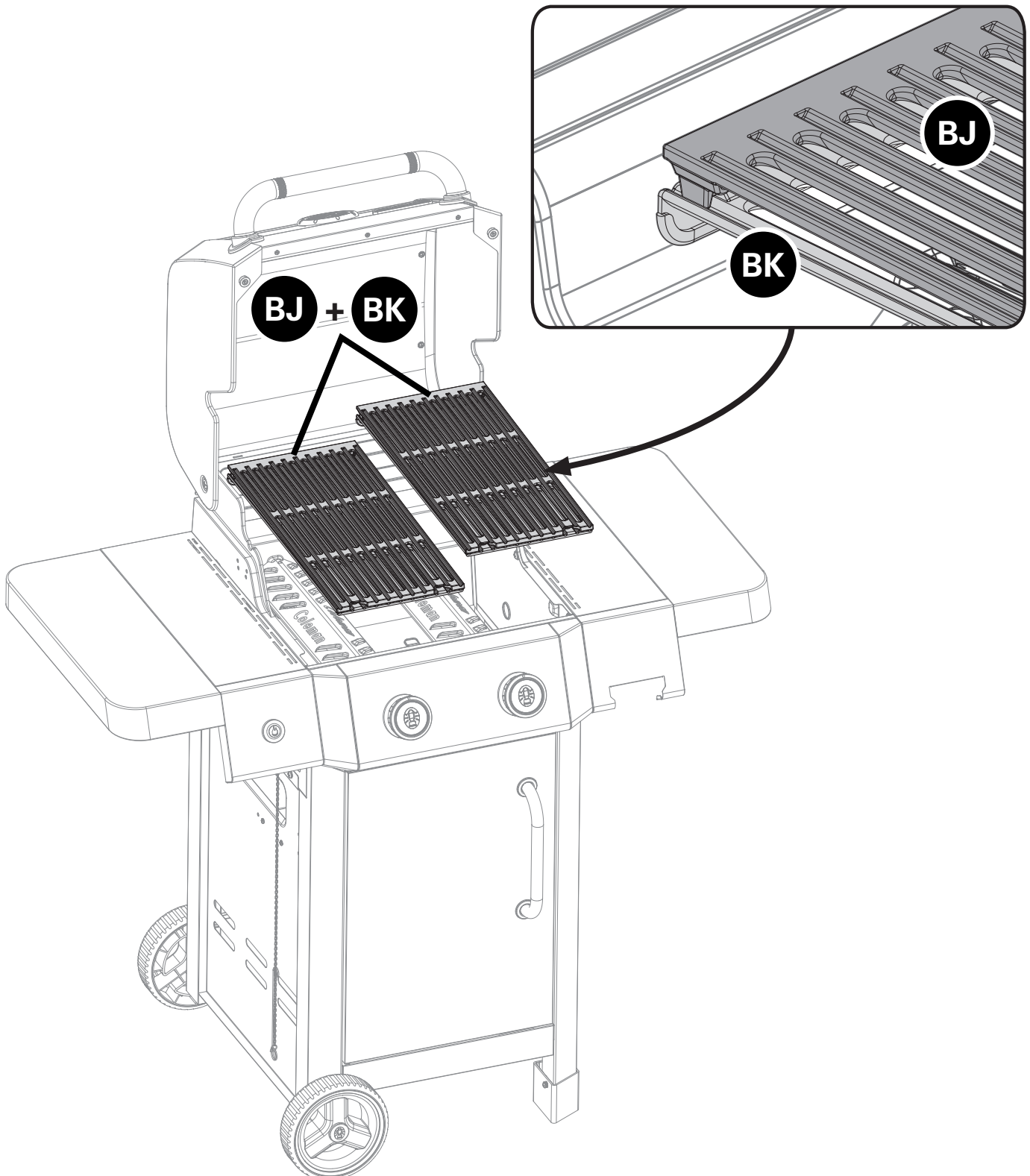
ASSEMBLY INSTRUCTIONS

19

ATTENTION:
STACK GRATES BEFORE
POSITIONING.

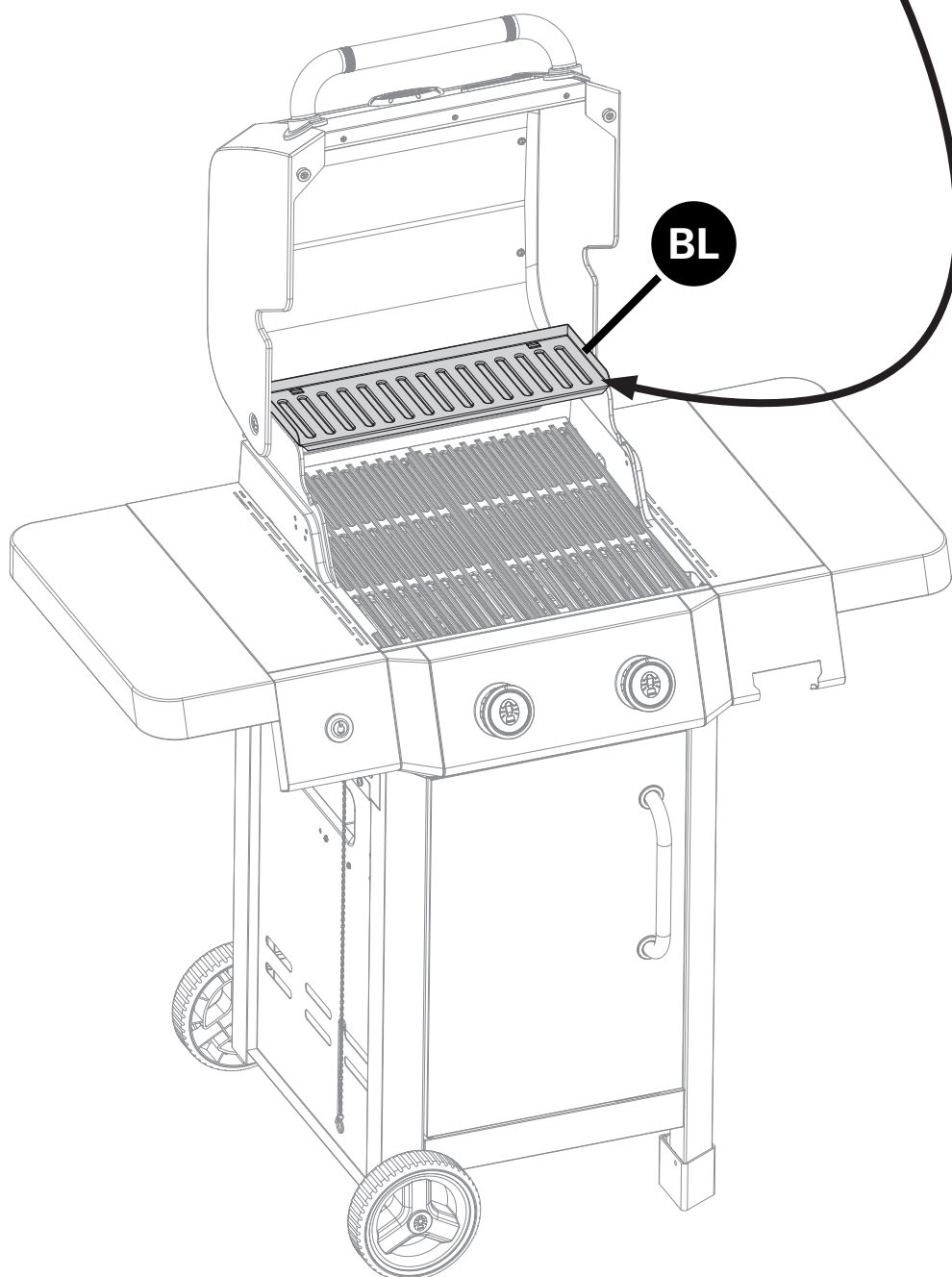
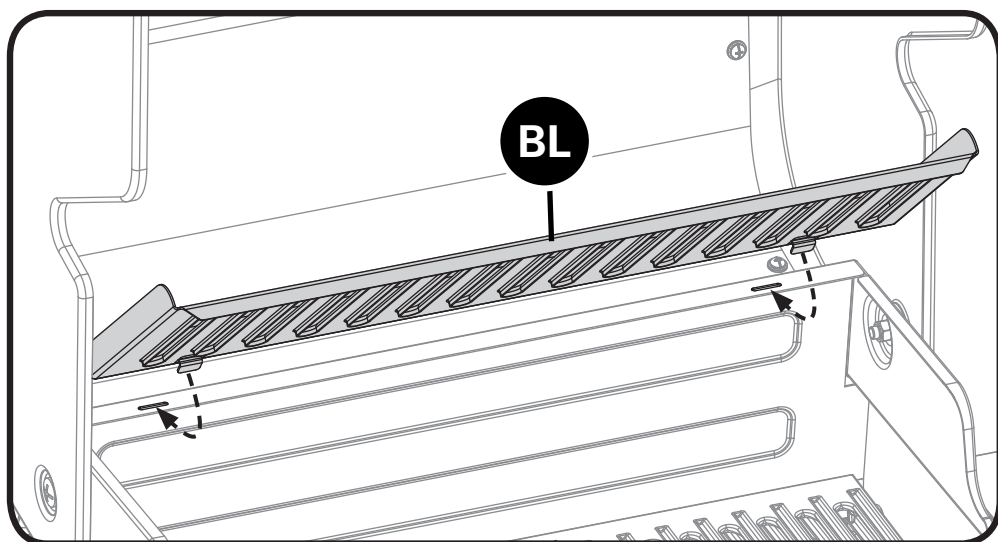
Upper Cooking Grate:
BJ - Porcelain Cast Iron Cooking Grate

Lower Cooking Grate:
BK - Stamped Steel Cooking Grate



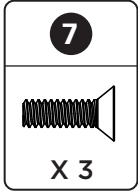
ASSEMBLY INSTRUCTIONS

20

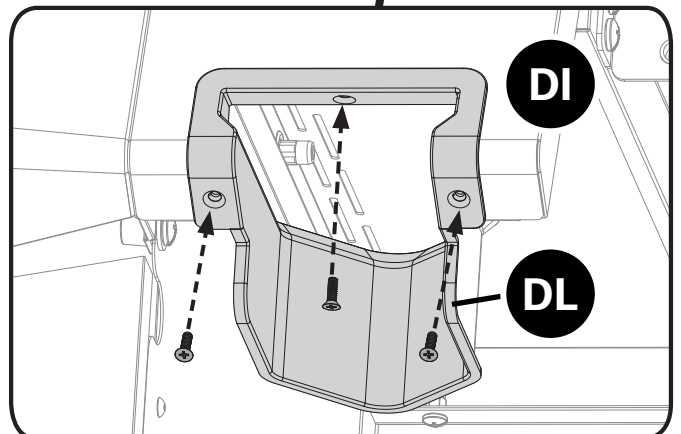
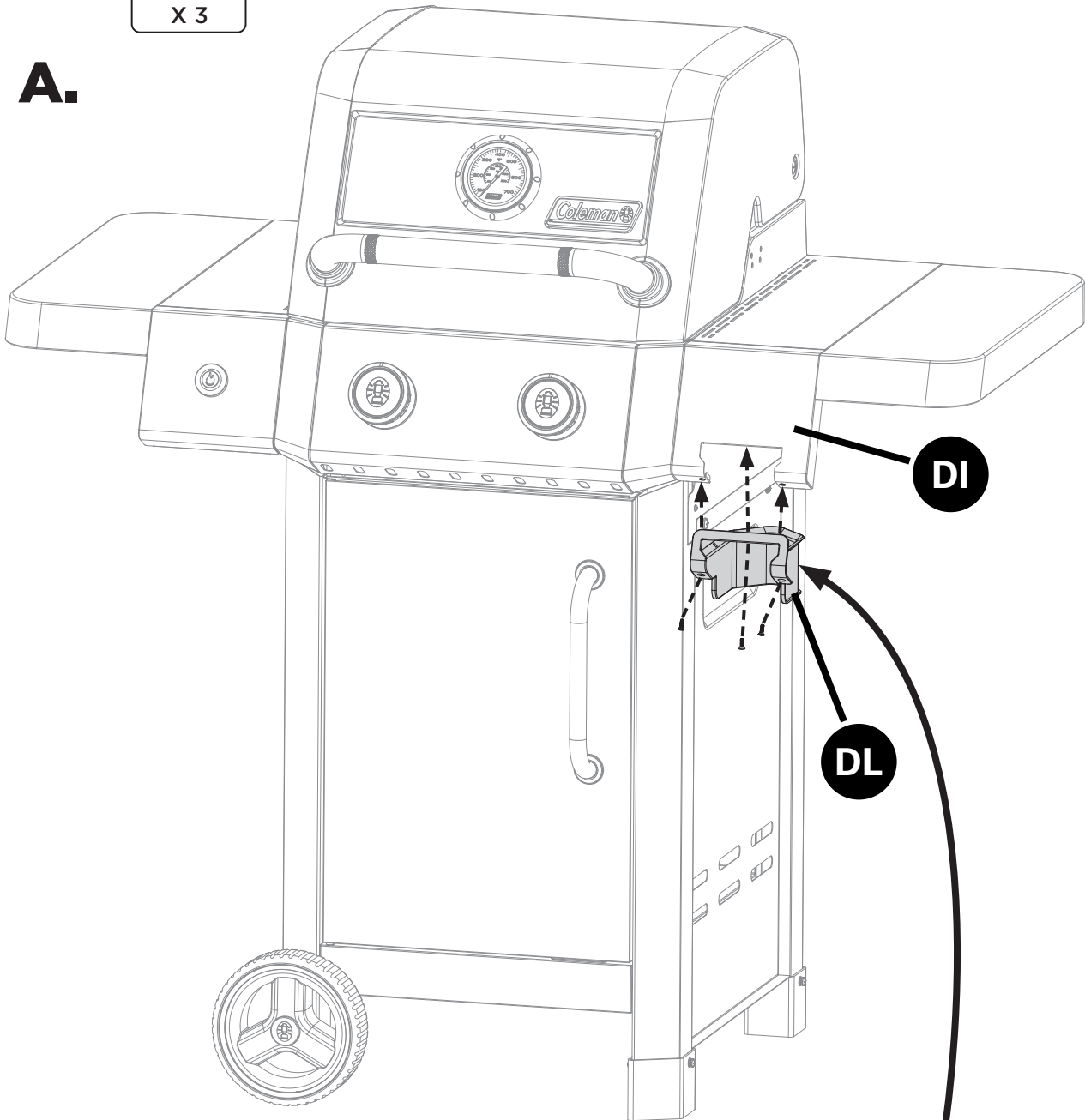


ASSEMBLY INSTRUCTIONS

21



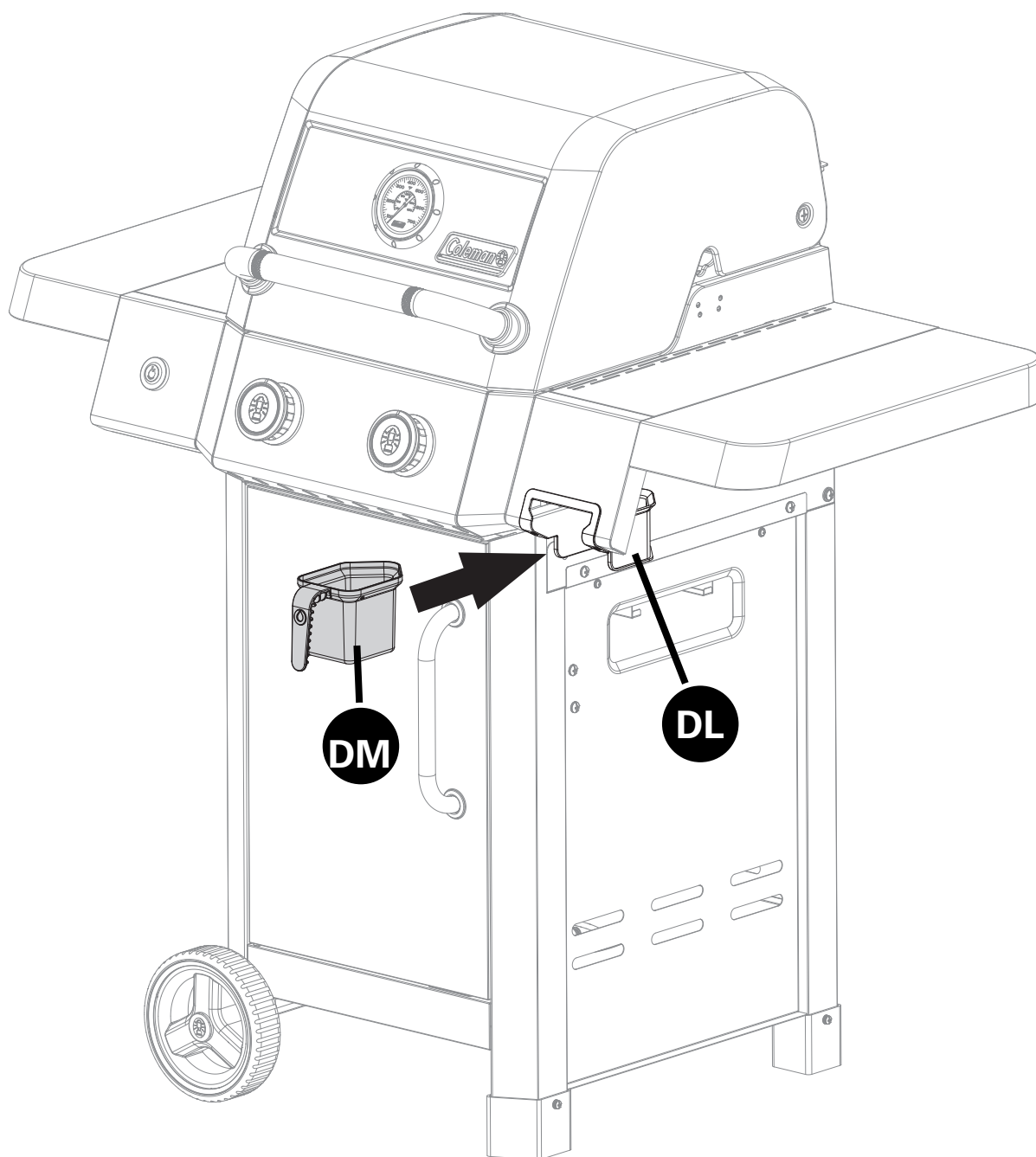
A.



ASSEMBLY INSTRUCTIONS

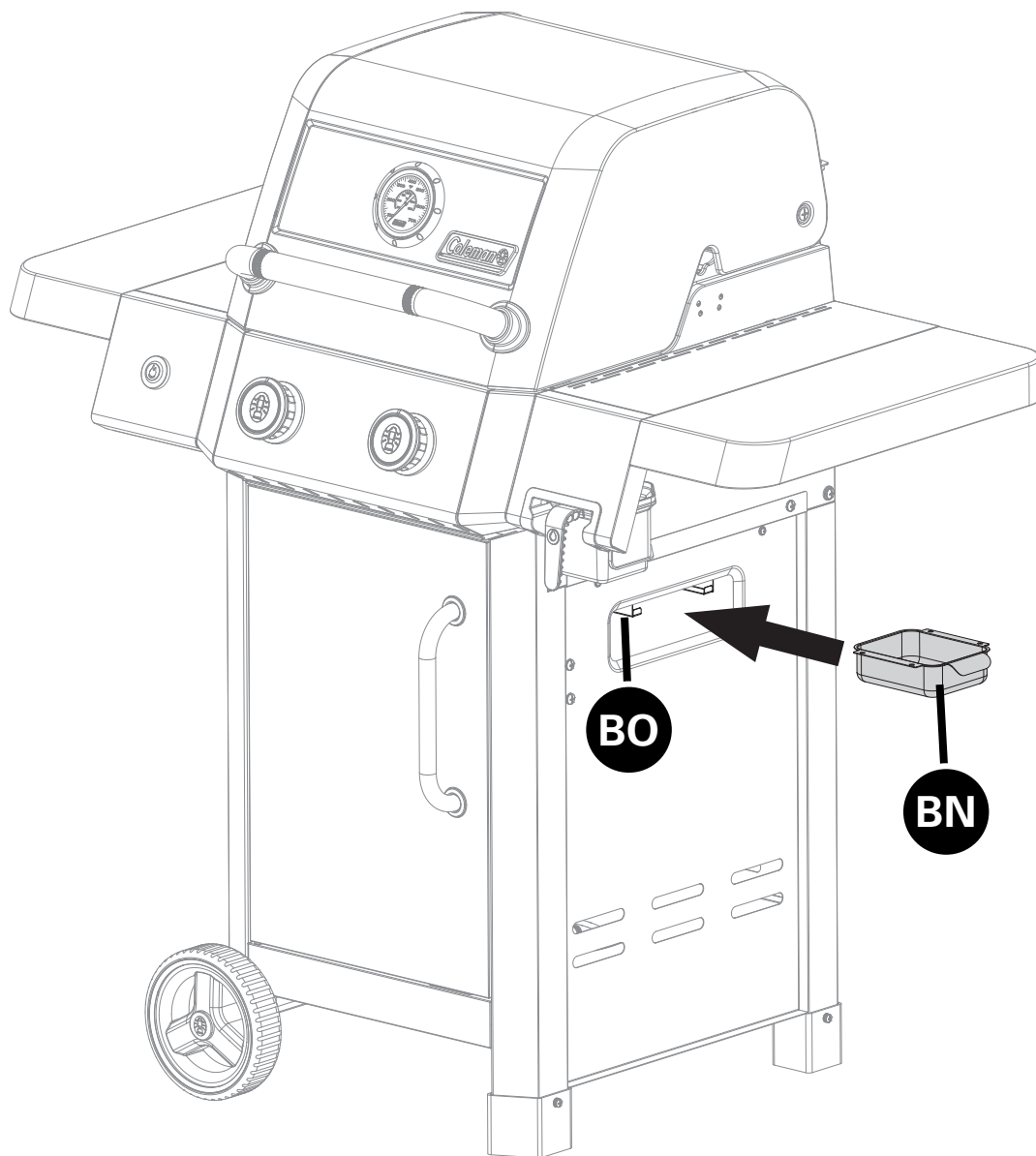
21

B.



ASSEMBLY INSTRUCTIONS

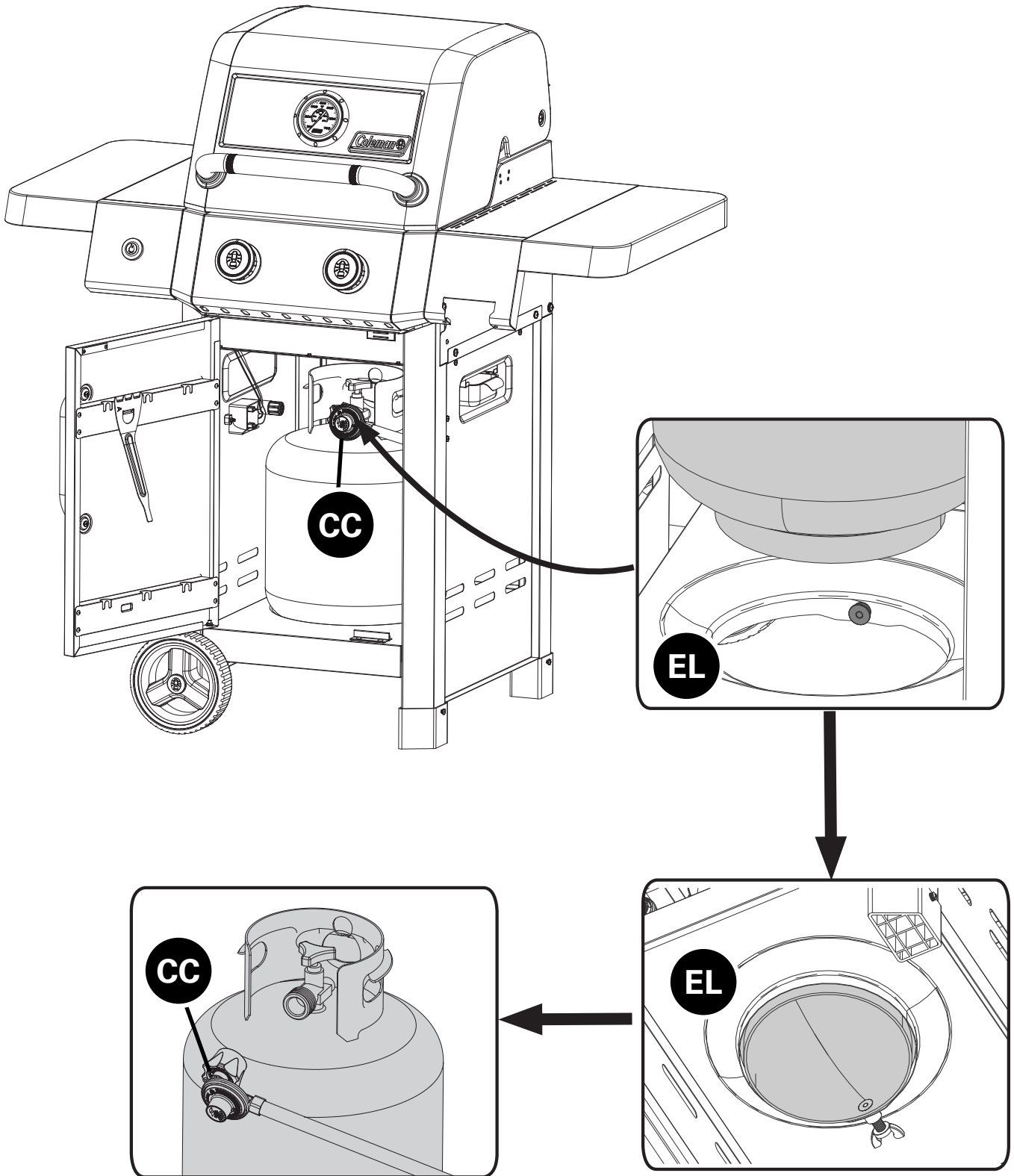
22



ASSEMBLY INSTRUCTIONS

23

**FOR PROPANE MODEL ONLY.
FOR NATURAL GAS MODEL, SEE NEXT PAGE.**



ASSEMBLY INSTRUCTIONS

24 HOW TO CONVERT YOUR BARBECUE TO NATURAL GAS

This barbecue was sold PROPANE READY, if you wish to run your barbecue on Natural Gas you must purchase the Natural Gas Conversion Kit sold at Canadian Tire, product #85-2261-4



IMPORTANT

Make sure the conversion kit packaging has the following symbol on it:



**CONVERTIBLE
VALVE SYSTEM™**

ADDITIONAL WARNINGS

You have now completed the assembly of your Coleman® barbecue.

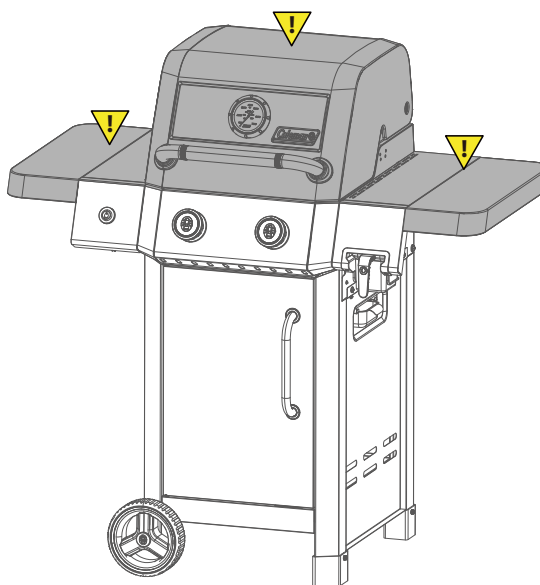
NEXT STEPS:

1. Position your Barbecue
2. Read Safe Use & Care Manual
3. Perform Barbecue Safety Check-list

WARNING:

▲ FOR YOUR FAMILIES SAFETY, DO NOT ATTEMPT TO LIGHT THIS BARBECUE UNTIL YOU HAVE REVIEWED PAGES 4-7 OF THE COLEMAN® SAFE USE & CARE MANUAL. ALL SAFETY AND LEAK TESTS MUST BE PERFORMED BY THE END USER, PRIOR TO LIGHTING THIS BARBECUE.

▲ WARNING HOT SURFACES:



POSITION YOUR BARBECUE

Always confirm that this barbecue is not positioned under a combustible object (e.g., an awning or umbrella) or in a covered area (e.g., porch or gazebo) before lighting it, to prevent a possible fire.

Always confirm that this barbecue is not positioned under the overhang of a house, a garage or other structure before lighting it. An overhang will serve to deflect flare-ups and radiate heat into the structure itself, which could result in a fire.

Always confirm that this barbecue is positioned more than 36" (91.4 cm) away from any combustible materials or surfaces before lighting it, and that no gasoline or other volatile substances are stored in the vicinity of this barbecue. The temperature of a grease fire or of the radiated heat might otherwise be sufficient to ignite nearby combustibles or volatile substances. Do not position near windows, siding, or fencing.

Always locate the barbecue where there will be ample combustion and ventilation air, but never position it in the direct path of a strong wind.

Level your barbecue for optimal performance of Flare-Free Technology™.



REVOLUTION II™